

ATLAS PERFECTING UNIT (351 Series)



PARTS CATALOG

WebPress
Revolutionary™

parts@webpressllc.com

Phone: (253) 620-4747 | www.webpressllc.com | Fax: (253) 722-0378

P. O. Box 2274 | Tacoma, WA | 98401

701 East "D" Street | Tacoma, WA | 98421

MAY 2018 REVISION

TABLE of CONTENTS

<i>DESCRIPTION</i>	<i>ASSEMBLY</i>	<i>PAGES</i>
 GENERAL ASSEMBLY		
& MAIN DRIVELINE-----		1-5
 <u>Parts Lists</u>		
GENERAL ASSEMBLY	3511000	
22-3/4 BASE UNIT MODULAR ASSEMBLY	3511000C1A	
MODULAR UNIT-AUTO AIR CLUTCH	3511000C1B, 3511000C1B, 3511000C1C	
UNIT DRIVELINE MODULAR ASSEMBLY	3511000C3	
AUTO UNIT AIR CLUTCH ASSEMBLY	3511000C2B	
 <u>Drawings</u>		
GENERAL ASSEMBLY 45" FRAMES	3511000	
UNIT MODULAR, HORTON WITH PULLEY - AUTOMATIC	3511000C3-C2B	
 BLANKET CYLINDER ASSEMBLY-----		
		6-9
 <u>Parts Lists</u>		
BLANKET CYLINDER ASSEMBLY	3512000	
BLANKET CYLINDER –STANDARD	3512000A1	
CONVERSION TO RUN 35K ASSEMBLY	A1524-2	
 <u>Drawings</u>		
BLANKET CYLINDER ASSEMBLY	3512000	
 PLATE CYLINDER ASSEMBLY-----		
		10-12
 <u>Parts Lists</u>		
PLATE CYLINDER ASSEMBLY	3513000	
 <u>Drawings</u>		
PLATE CYLINDER ASSEMBLY	3513000	

TABLE of CONTENTS

<i>DESCRIPTION</i>	<i>ASSEMBLY</i>	<i>PAGES</i>
INK SYSTEM ASSEMBLY		
& INK WASH-UP-----		13-21
<u>Parts Lists</u>		
INK SYSTEM ASSEMBLY	3514001	
INK WASH-UP ASSEMBLY	2817004	
<u>Drawings</u>		
INK SYSTEM ASSEMBLY	3514001 SH 1-3	
INK WASH-UP ASSEMBLY	2817004	
MECHANICAL MOTION ASSEMBLY-----		22-29
<u>Parts Lists</u>		
MECHANICAL MOTION ASSEMBLY	3516000	
CONVERSION TO RUN 35k ASSEMBLY	A1524-2	
<u>Drawings</u>		
MECHANICAL MOTION	3516000 Sh 1-3	
BRUSH DAMPENING SYSTEM-----		30-38
<u>Parts Lists</u>		
BRUSH DAMPENER ASSEMBLY	2822003	
BRUSH DAMPENER (22-3/4 & 21-1/2)	2822003A1	
OPTIONAL WATER STOPS	2822002A1	
BURSH DAMPENER 600MM	2822003A2	
<u>Drawings</u>		
BRUSH DAMPENER ASSEMBLY	2822003 SH 1-4i	
WATER RECIRCULATING SYSTEM -----		39-41
<u>Parts Lists</u>		
WATER RECIRCULATING SYSTEM ASSEMBLY	813000	
PUMP 300 GALLON PER HOUR	813000A1	
PUMP 500 GALLON PER HOUR	813000A2	
<u>Drawings</u>		
WATER TANK ASSEMBLY	813000	

TABLE of CONTENTS

<u>DESCRIPTION</u>	<u>ASSEMBLY</u>	<u>PAGES</u>
GUARDS		42-44
<u>Parts Lists</u>		
INK TRAIN GUARDS	2517001C	
INK TRAIN GUARDS ASU U/L ASSEMBLY FOR MANUAL UNIT ONLY	2517001D	
<u>Drawings</u>		
OPTIONAL INK TRAIN GUARDS	2517001C/D	
COMPENSATOR		45-47
<u>Parts Lists</u>		
COMPENSATOR ASSEMBLY	1814000	
<u>Drawings</u>		
ATLAS PERFECTOR COMPENSATOR	1814000iii	
AUTOLUBE ASSEMBLY & ACCESSORIES		48-53
<u>Parts Lists</u>		
AUTOLUBE ASSEMBLY	1831000	
AUTOLUBE SYSTEM & ACCESSORIES	1834000	
AUTOLUBE BASIC HOOK-UP	1834000A1	
AUTOLUBE IN-LINE	1834000A2	
AUTOLUBE END UNIT OR FOLDER	1834000A3	
AUTOLUBE T & A	1834000A4	
AUTOLUBE CROSS PERFORATOR	1834000A5	
<u>Drawings</u> –		
ATLAS PERFECTOR AUTOLUBE	1831000	
AUTOLUBE SYSTEM INSTALLATION	1834000	



General Assembly

&

Main Driveline

General Assembly 22 3/4" Atlas Perfector

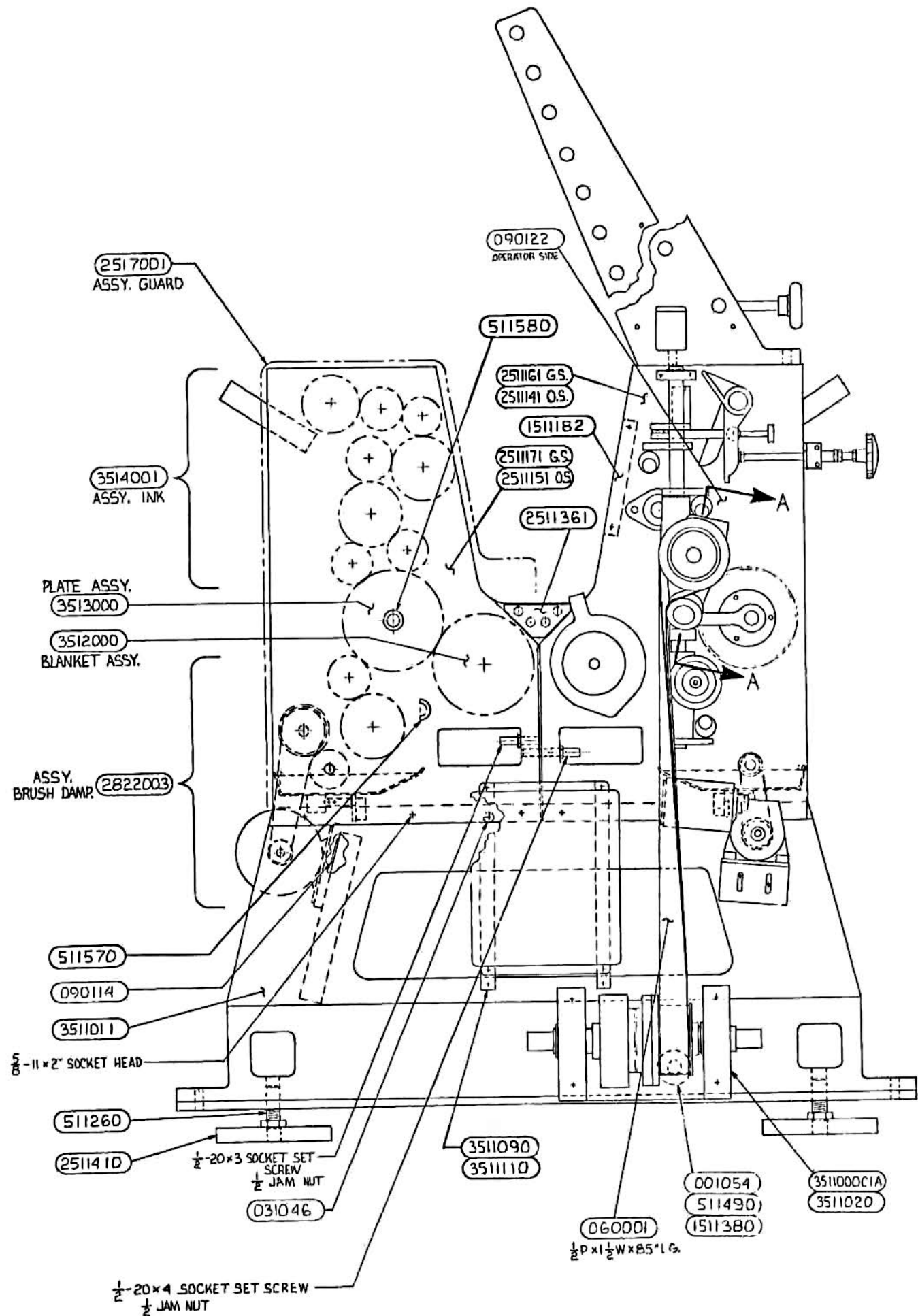
Assembly 3511000

Part No.	Description	Qty Req'd
001054	BEARING, ER-16X	2
003001	BEARING, LM 11949 (TIMKEN)	1
031046	DOWEL PIN, 3/4 x 2"	2
060001	DRIVE BELT, 1/2 P x 1 1/2 W x 85" LG., 850 H 150 (BROWNING)	1
061002	PULLEY, 30 T. x 1/2 P x 2" W, W/TAPER BUSHING	1
062002	1 1/8 BORE TAPER BUSHING	1
090114	NAME PLATE	1
090122	ATLAS WEB LEAD NAME PLATE	1
511260	LEVELING BOLT	4
511490	ROLLER CORE	1
511530	PULLEY, BELT IDLER	1
511540	SPACER, BELT IDLER	1
511570	OPERATOR LABEL, CIRC. TO PINS	2
511580	OPERATOR LABEL, SIDELAY TO OPERATOR	2
3511011	BASE FRAME	1
1511182	CROSS BRACE	2
1511360	BOLT, DRIVE BELT IDLER	1
1511380	SHAFT, STIFFENER	2
1511390	PLATE, IDLER	1
2511141	SIDE FRAME O.S. PAGE 1	1
2511151	SIDE FRAME O.S. PAGE 2	1
2511161	SIDE FRAME G.S. PAGE 1	1
2511171	SIDE FRAME G.S. PAGE 2	1
3511090	SPACER, ELECTRICAL BOX	4
3511110	MOUNTING BRACKET, ELECTRICAL BOX	2
2511361	STRAP, UNIT TIE	2
2511410	LEVELING PAD	1

22 3/4" Base Unit Modular Assembly

3511000C1A

3511020	BASE, UNIT MAIN DRIVE	1
---------	-----------------------	---



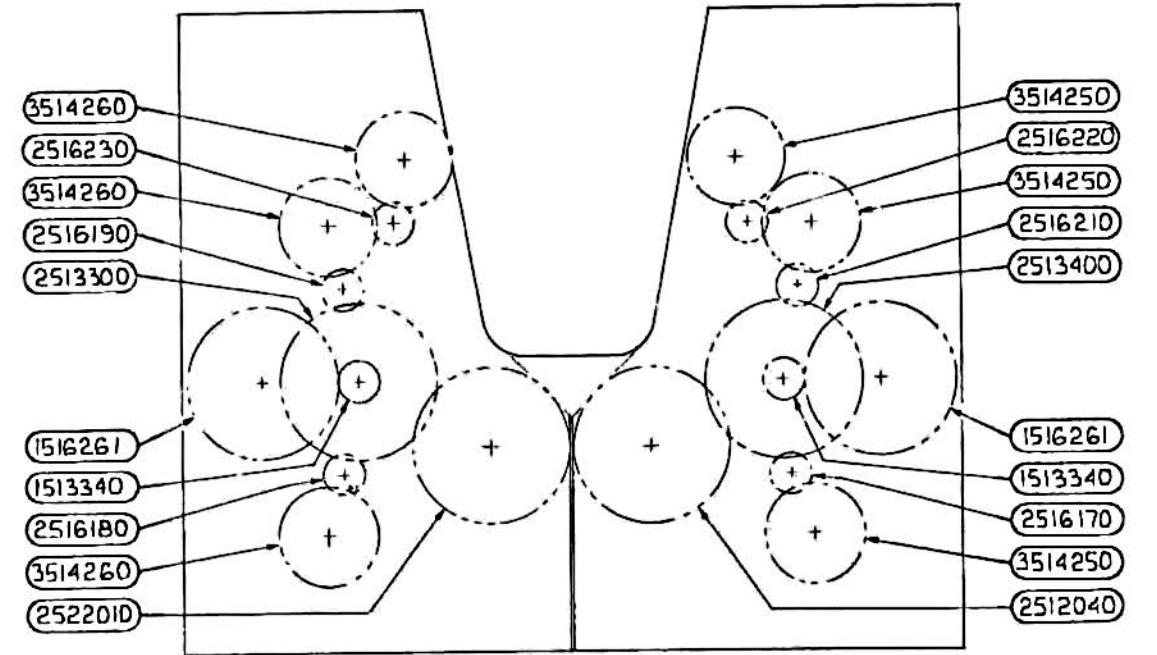
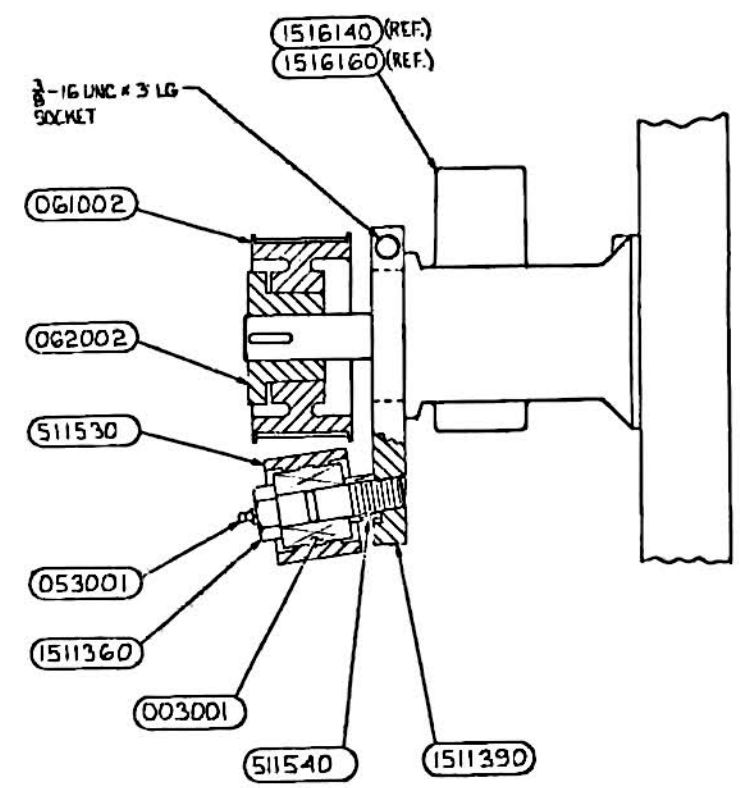
1814000 ASSY. COMPENSATOR

3516000 ASSY. MECH. MOTION

2822003 ASSY. BRUSH DAMP.

3511000C2A MANUAL AIR CLUTCH OR

3511000C2B AUTO AIR CLUTCH



GEARS (REF) (VIEW FROM GEARSIDE)

TOLERANCES (UNLESS AS NOTED)		WEB PRESS LLC 781 EAST 10 TH STREET TACOMA, WASHINGTON 98401	
DECIMAL	3510000	SCALE	$\frac{1}{2}$ " = 1"
FRACTIONAL		DATE	10-1-92
TITLE	GENERAL ASSEMBLY 45" FRAMES		
APPROVED		DATE	10-1-92
		REVISED NUMBER	3511000

Modular Unit Auto Air Clutch 3511000 C3, C2B

Part No. Description Qty Req'd

Assembly 3511000C1A

3511020	BASE UNIT MAIN DRIVE 22 ¾	1
---------	---------------------------	---

Assembly 3511000C1B

3511030	BASE UNIT MAIN DRIVE 21 ½	1
---------	---------------------------	---

Assembly 3511000C1C

4511020	BASE UNIT MAIN DRIVE 600MM	1
---------	----------------------------	---

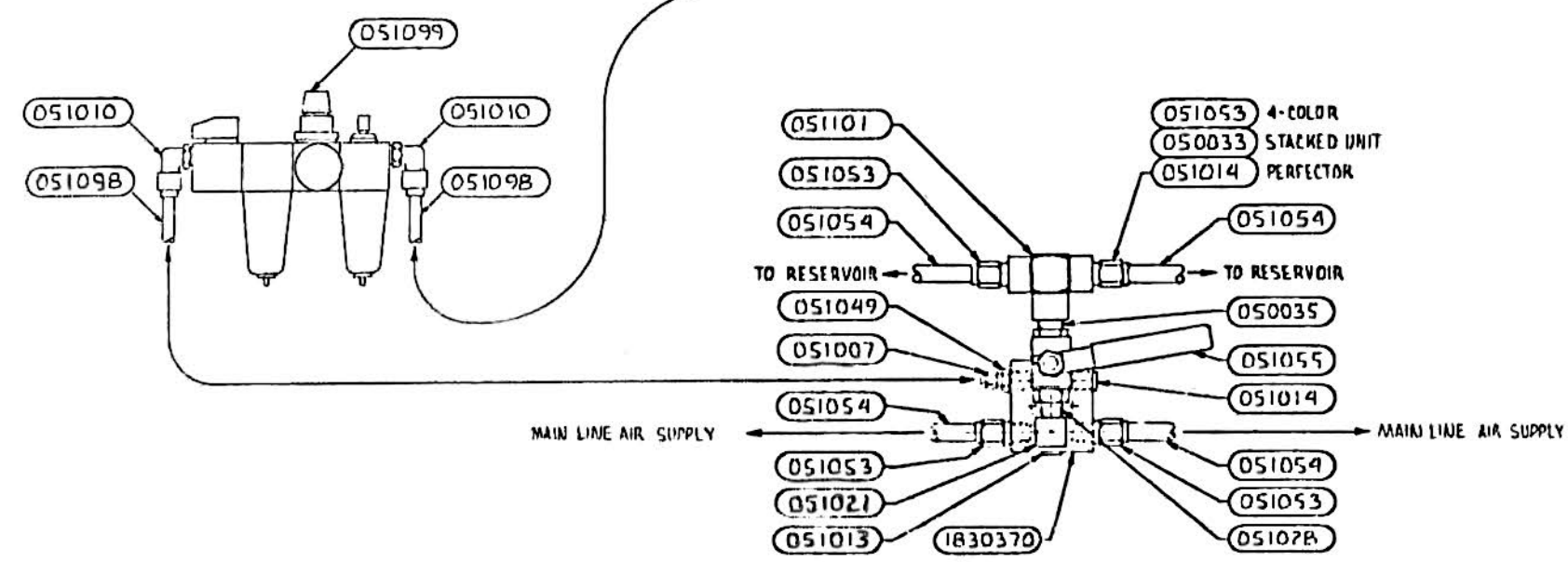
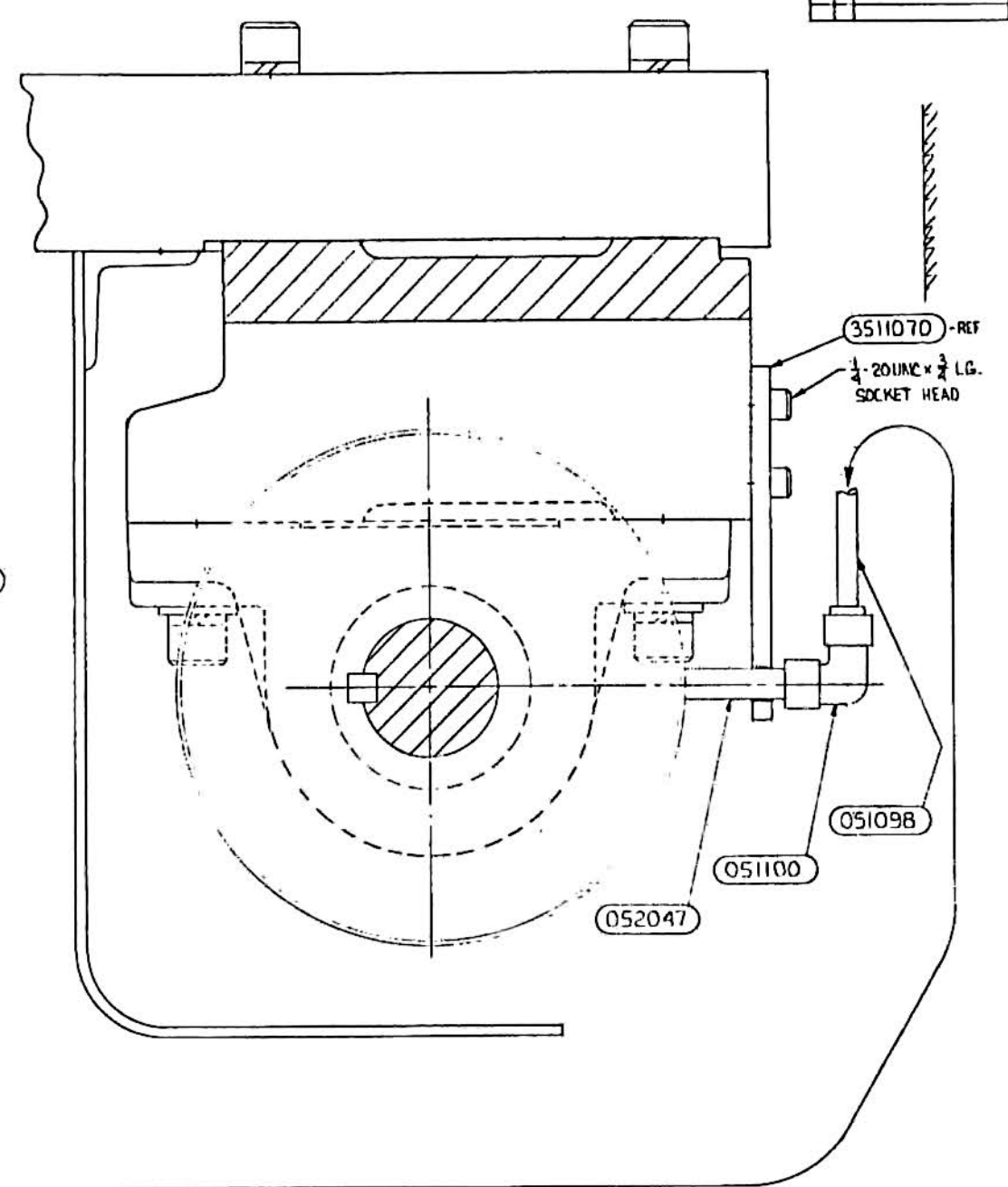
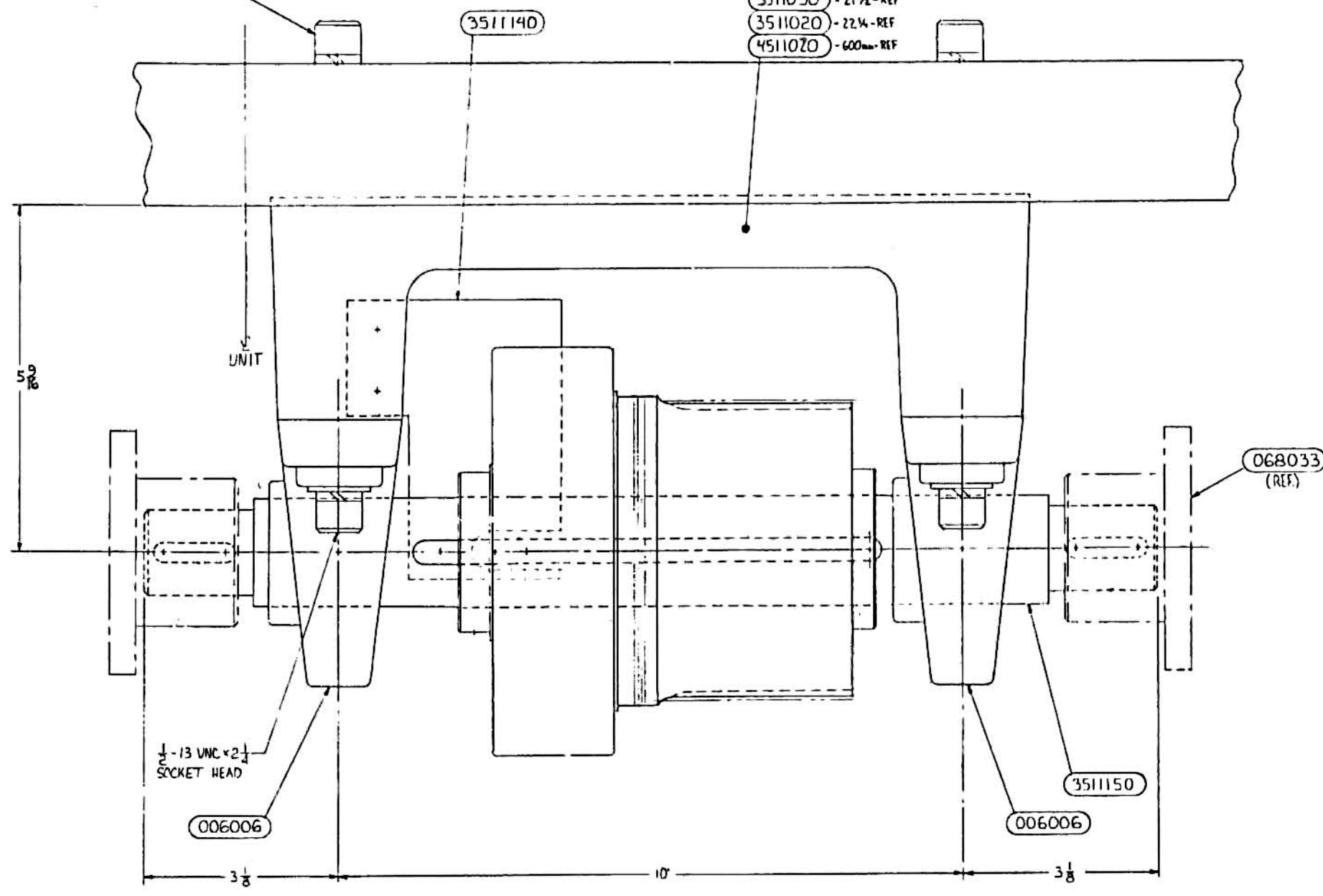
Unit Driveline Modular Assembly 3511000C3

3511150	SHAFT MAIN DRIVE	1
3511140	BRACKET AIR CLUTCH	1
006006	C25-1 ¾ BEARING	2
051098	1/8 x ¼ O.D. TUBING (FEET)	10
051100	FEMALE ELBOW ¼ T. O.D. x 1/8 I.D.	2
052047	NIPPLE 1/8 MNPT x ¾" LONG	1
068074	HORTON AIR CLUTCH 5H50TP	1

Auto Unit Air Clutch Assembly 3511000C2B

051028	NIPPLE 3/8 x 3/8 MNPT	1
051099	FILTER REGULATOR LUBE	1
051010	SWIVEL ELBOW ¼ NPT x ¼ TUBE	3
051014	PIPE PLUG 3/8 NPT	3
051053	CONN. 3/8 NPT x ½ TUBE	2
1830370	JUNCTION BOX	1

1/2-13 UNC x 3/4 SOCKET HEAD



ASSEMBLIES INCLUDED

- ONE - 3511000C1A 22 3/4 BASE UNIT
- ONE - 3511000C1B 21 1/2 BASE UNIT
- ONE - 3511000C1C, 600mm BASE UNIT
- ONE - 3511000C3, UNIT DRIVELINE MODULAR
- ONE - 3511000C2B, AUTO UNIT AIR CLUTCH

TOLERANCES UNLESS OTHERWISE SPECIFIED		W WEB PRESS LLC 781 EAST 10 TH STREET TACOMA, WASHINGTON 98401	
ORIGINAL	SCALE	FULL	DRAWN BY (1-17)
FRACTIONAL			APPROVED BY
TITLE	UNIT MOD. HORTON W/ PALLEY - AUTO		
DATE	7-13-95	QUANTITY ORDERED	3511000C3-C2B

WebPress *Revolutionary*™

**Blanket
Cylinder
Assembly**

Blanket Cylinder, 22 ¾ Atlas Perfector Assembly 3512000

Part no.	Description	Qty Req'd
001014	BEARING, ER-36	4
005007	THRUST WASHER, ½ ID x .03 THICK TRA-815 (TORRINGTON)	4
005008	THRUST WASHER, 1 ¼ ID x 1 15/16 OD x .03 THK TRA-2031 (TORRINGTON)	2
011056	OILITE BUSHING, 1 ¼ ID x 1 ½ OD x 2" LG., AA-1512-5 (OILITE)	4
012001	BUSHING – NON-METALIC, ¾ ID x 7/8 OD x 3/4 LG., 12 DU-12 (GARLOCK)	4
030002	SNAP RING, EXTERNAL 1 ¼, 5100-125 (TRUARC)	2
030020	SNAP RING, 4.330 HOUSING DIA	2
031004	ROLL PIN, ¼ DIA & 1" LG	4
031010	DOWEL PIN, ¾ x 3" LG.	4
035023	SHOULDER SCREW, 3/8 x 3" Lg.	4
053001	LUBE FITTING, ¼ 28	8
068006	INNER RACE, ½ ID x ¾ OD ¾ LG. I IR-812 (TORRINGTON)	4
512360	IMPRESSION ARM	4
512370	IMPRESSION LINK	4
512380	GUIDE, BLANKET CYLINDER ECCENTRIC	8
1512101	ECCENTRIC R.H. GEAR SIDE	1
1512201	ECCENTRIC, L.H. GEAR SIDE	1
1512301	ECCENTRIC, R.H. OPERATOR SIDE	1
1512401	ECCENTRIC, L.H. OPERATOR SIDE	1
1512580	COVER PLATE	3
1512591	ACTUATOR, ECCENTRIC	4
1512610	ADJUSTING SCREW	4
1512620	SHAFT, IMPRESSION	2
1512630	TIMING WHEEL	1
1513220	BEARING RETAINER, O.S.	4
2512040	GEAR, BLANKET CYLINDER L.H.	1
2522010	GEAR, BLANKET CYLINDER R.H.	1

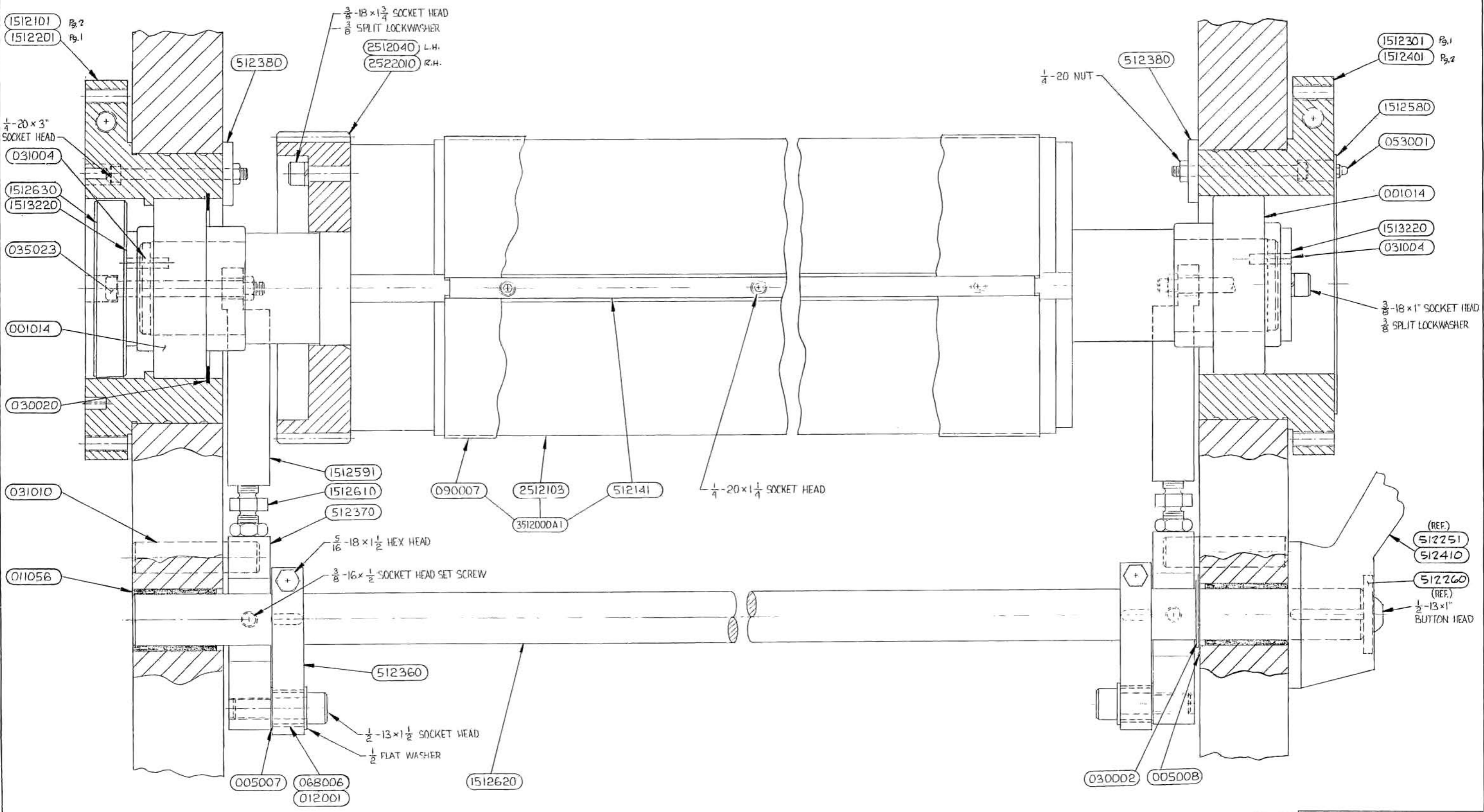
Blanket Cylinder, Standard 3512000a1

090007	#714 VULCAN BLANKET	2
512141	BLANKET BAR	2
2512103	BLANKET CYLINDER	2

Conversion To Run 35k Assembly A1524-2

(Continued From Previous Page)

A1524-26	GEAR DRIVE PLATE CYLINDER (REPLACES 1513340, GEAR DRIVE PLATE CYL)	2
A1524-27	SPACE DRIVE GEAR (REPLACES 1513440, SPACE DRIVE GEAR)	2



TOLERANCES (EXCEPT AS NOTED)		WEB PRESS LLC 701 EAST 10 TH STREET TACOMA, WASHINGTON 98401	
DECIMAL	SCALE	DRAWN BY	FC
FRACTIONAL	FULL	APPROVED BY	
TITLE		BLANKET CYL. SUB-ASSY. 22 3/4	
DATE	DRAWING NUMBER	8-30-88 3512000	

WebPress *Revolutionary™*

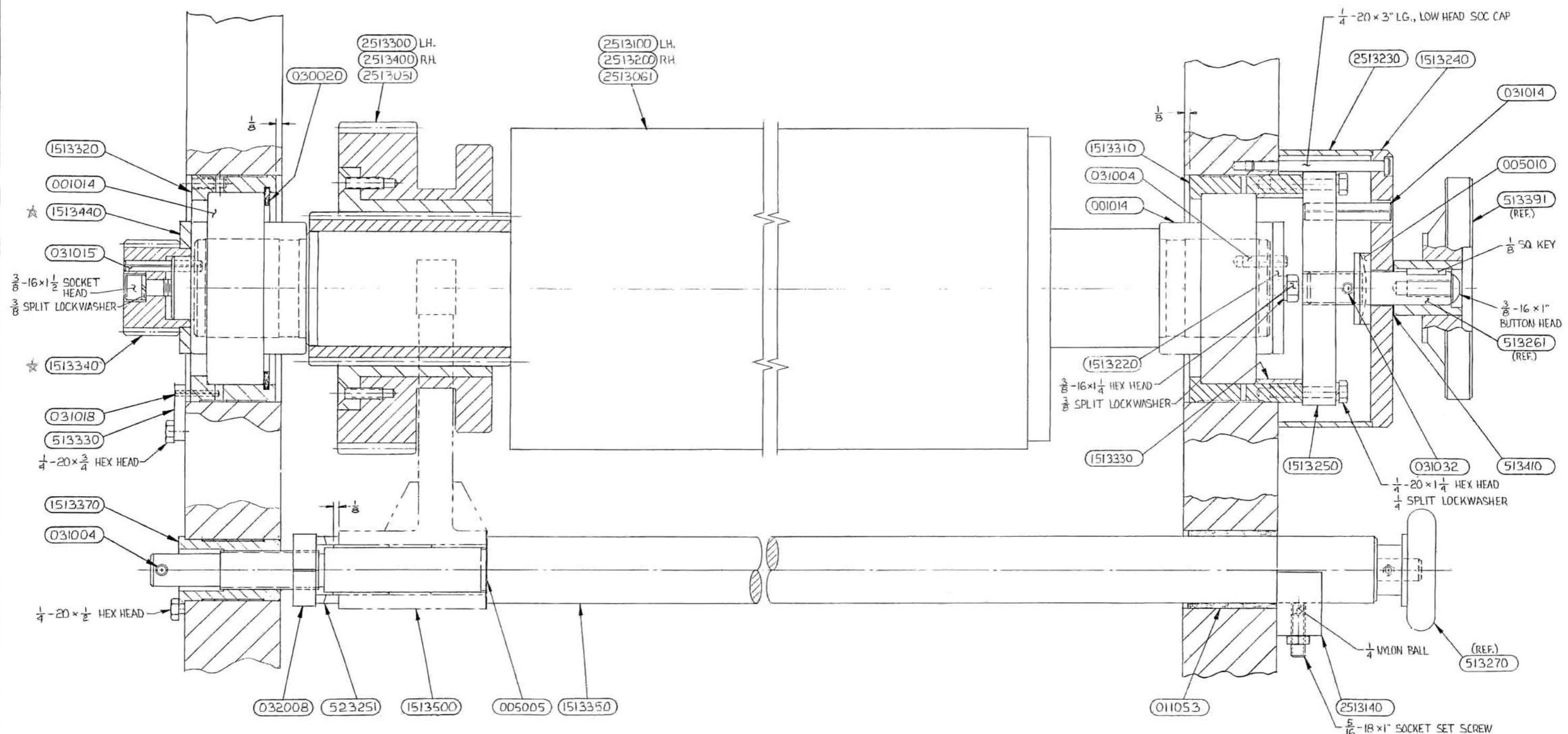
**Plate
Cylinder
Assembly**

Plate Cylinder 22 ¾ Atlas Perfector Assembly

3513000

Part No.	Description	Qty Req'd
001014	BEARING, ER-36 (SEALMASTER)	4
005010	SPHERICAL WASHER, SPW-6 (REID)	2
005005	SPHERICAL WASHER, TRA-1625 (TORRINGTON)	2
011053	BUSHING, ½ ID x 1 ¾ OD x 2" LG., AA-1704-2 (OILITE)	2
030020	SNAP RING, 4.330 HOUSING DIA., RR-433 (SPIROLOX)	4
031004	ROLL PIN, ¼ DIA. x 1" LONG	4
031014	ROLL PIN, 3/8 DIA. x 2 1/2" LONG	2
031015	ROLL PIN, ¼ DIA. x 1 ¾" LONG	2
031018	ROLL PIN, 1/8 DIA. x 1" LONG	2
031032	SPIRAL ROLL PIN ¼ DIA. x 1 ½ LONG	2
032008	SET COLLAR, 7/8 14 x 1 5/8 OD	2
053001	LUBE FITTING, ¼ 28 (NOT SHOWN MOUNTED IN FRAME)	6
513330	PLATE BEARING KEEPER	2
513410	PHENOLIC WASHER	2
523251	SPECIAL WASHER, CIRC. ADJUST	2
1513220	BEARING RETAINER O.S.	2
1513240	PLATE COVER	2
1513250	PLATE, ADJUST	2
1513310	SLEEVE, PLATE CYL. O.S.	2
1513320	SLEEVE, PLATE CYL. G.S.	2
1513330	SPACER, PLATE CYL. BEARING O.S.	2
1513340	GEAR, DRIVE PLATE CYLINDER	2
1513350	CIRCUMFERENTIAL SHAFT	2
1513370	BUSHING, CIRC. CONTROL SHAFT	2
1513440	SPACER, DRIVE GEAR	2
1513500	CIRCUMFERENTIAL SHIFTING FORK ASSEMBLY	2
2513100	PLATE CYLINDER ASSEMBLY, L.H.	1
2513061	EXTERNAL SPLINE	1
2513200	PLATE CYLINDER ASSEMBLY R.H.	1
2513061	EXTERNAL SPLINE	1
2513140	SHAFT STOP, PLATE CYL.. CIRC.	2
2513230	TUBE, STANDOFF	2
2513300	GEAR CIRC. PLATE CYL. L.H.	1
2513051	INTERNAL SPLINE BROACH, TURN	1
2513400	GEAR CIRC. PLATE CYL. R.H.	1
2513051	INTERNAL SPLINE BROACH, TURN	1

DATE	REVISION
7-29-88	REVISED



★ NOTE:
 ASSEMBLY A1524-2, CONVERSION TO RUN 35 K
 - A1524-26 REPLACES 1513340
 - A1524-27 REPLACES 1513440

TOLERANCES	WEB PRESS LLC
EXCEPT AS NOTED	701 EAST 70 TH STREET TACOMA, WASHINGTON 98401
DECIMAL	AC 1/16
FRACTIONAL	FULL
DATE	8-30-88
DRAWING NUMBER	3513000



Ink System Assembly

&

Ink Wash-Up

Ink System, 22 ¾ Atlas Perfector Assembly

3514001

Part no.	Description	Qty Req'd
001001	BEARING, ER-16	28
001002	BEARING, ER-18	4
011005	OILITE BUSHING, 1" ID x 1 1/8 OD x 1 ¼ LG	4
011054	OILITE BUSHING, ¾ ID x 1" OD x 2 1/8 LG.	4
011069	OILITE BUSHING, .5025 ID x .753 OD x 1 ¼ LG	8
030006	SNAP RING, EXTERNAL, 1 3/8	4
030015	SNAP RING, EXTERNAL, 2"	4
053001	LUBE FITTING ¼ 28	2
053003	LUBE FITTING	8
035007	SHOULDER SCREW	8
035029	SWING BOLT 3/8 16 x 2 ½ LG.	4
035031	SHOULDER SCREW 3/8 x ¾	4
035036	SWING BOLT 3/8 16 x 3" LG.	4
514250	ROLL, INK SKIMMER	2
514310	INK FORM ROLL	4
514360	OSCILLATOR SHAFT BUTTON	4
514370	INK TRANSFER ROLL, 3" DIA.	2
514411	CAM, FORM EOLL	4
514640	INK FORM ROLL 2 7/8"	2
1514030	SHAFT, TRANSFER ROLL	4
1514040	FORM ROLL SHAFT	4
1514050	SHAFT, INK SKIMMER	2
1514060	SHAFT, FORM	2
2524070	SHAFT, OSCILLATOR	4
1514110	BRACKET, INK SKIMMER	4
3514170	OSCILLATOR, INK	4
1514240	PHENOLIC WASHER	8
3514300	OSCILLATOR GEAR ASSY, R.H.	2
3514400	OSCILLATOR GEAR ASSY, L.H.	2
1524021	HANGER BRACKET	4
1524011	HANGER BRACKET	4
1524060	OSCILLATOR BUSHING G.S	4
1524070	OSCILLATOR BUSHING O.S.	4
1524080	BUSHING	8

Ink System, 22 ¾ Atlas Perfector Assembly

3514001

Part No.	Description	Qty Req'd
001001	BEARING, ER-16	28
005005	1" I.D. x 1.55 O.D. x .03 THK	2
020007	TENSION SPRING, 9/16 x .0475 x 4" LG	4
021009	SPRING PLUNGER, ¼ 20 x ¼ LG.	2
033003	KNOB, 3 1/8 DIA, x ½ 13	2
033004	KNOB, ¾ DIA x 10 32 x ½	2
068002	ONE WAY CLUTCH, 1 x 5/8	4
068048	INNER RACE, ¾ ID x 1" OD x 1.515 LG.	2
090139	SPRING, INK FOUNTAIN, .010 x 5/16 x 44 ½	2
514060	STRAP, UPPER	2
514070	STRAP, LOWER	2
514080	BLADE, INK FOUNTAIN	2
514091	KEY, INK FOUNTAIN	66
514130	FOUNTAIN ROLL COVER	1
3514050	WASHER, FOUNTAIN DRIVE RETAINING	2
3514060	BOLT	2
514210	LOCKING CAM, SLIDE	2
514220	ECCENTRIC PIN, SLIDE CAM	2
514230	SLIDE, DOUBLE STROKE INKER	2
514760	PHENOLIC WASHER	2
1514080	SPACER, INK FOUNTAIN DRIVE	2
1514091	INK ADJUSTING ROD	2
1514120	ARM, INK FOUNTAIN ROLL	2
1514130	ARM, DOUBLE STROKE R.H.	1
1514140	ARM, DOUBLE STROKE L.H.	1
1514362	INK FOUNTAIN CHEEK	4
1514380	INK FOUNTAIN SEAL	4
1514440	BRACKET, SLIDE	2
1514450	RETAINING PLATE	2
2514010	BLOCK, INK FOUNTAIN R.H.	1
2514020	BLOCK, INK FOUNTAIN L.H.	1
2514210	INK FOUNTAIN ROLL	2
2514050	PRESSURE PLUG	4
2514061	SPRING HOUSING	4

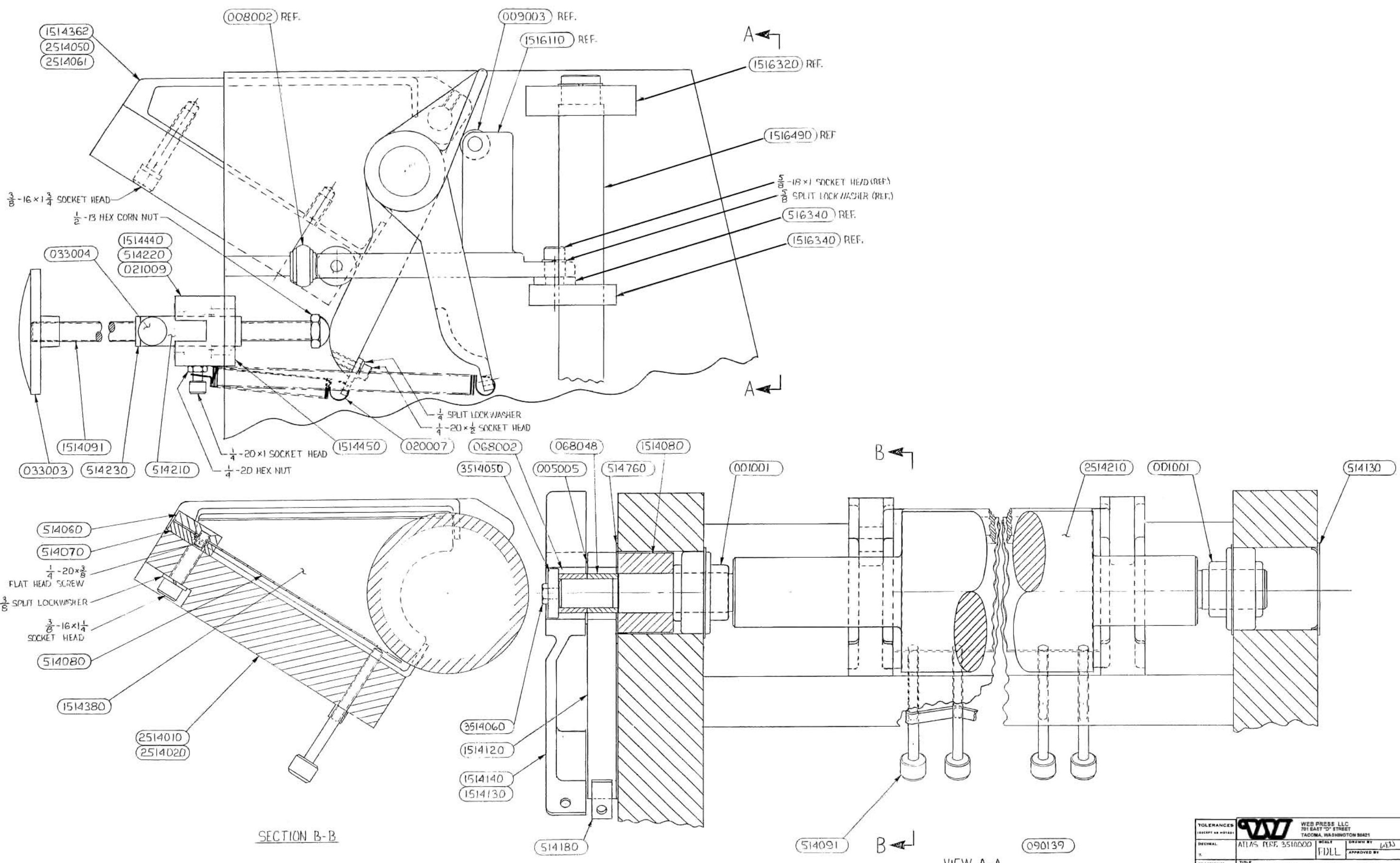
SHEET 2 OF 3

Ink System, 22 ¾ Atlas Perfector Assembly

3514001

Part No.	Description	Qty Req'd
020009	TENSION SPRING, ½ x .080 x 1 5/8 LG.	4
514310	INK FORM ROLL, 2 ¾"	4
514411	CAM, FORM ROLL	4
1524021	HANGER BRACKET	4
1524011	HANGER BRACKET	4
3514020	SCREW, SPRING ADJUSTMENT	4
3514040	SCREW, SPRING ADJUSTMENT	4

DATE	BY	REVISION RECORD	DR	CR

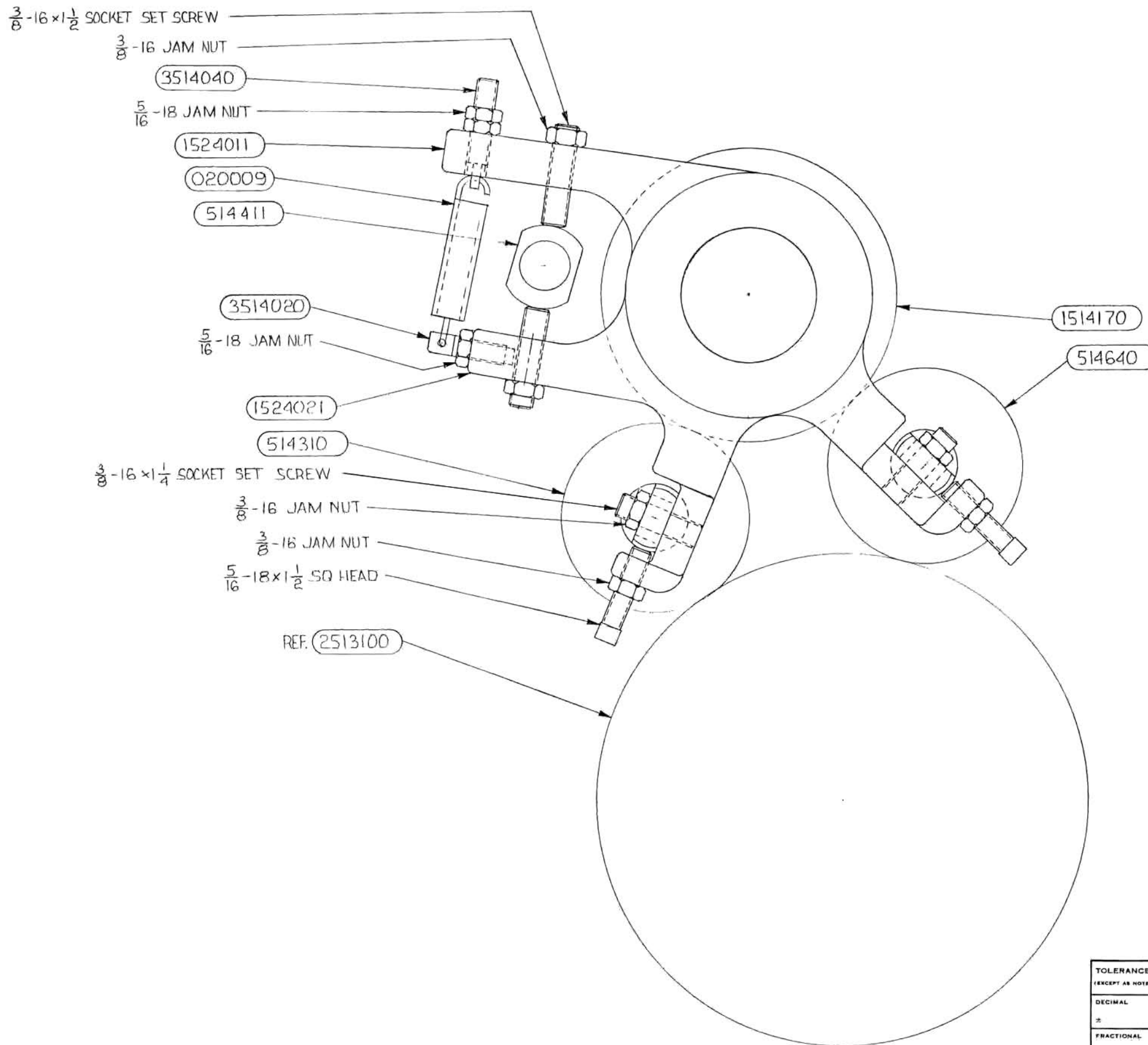



SECTION B-B

VIEW A-A

TOLERANCES (EXCEPT AS NOTED):	W WEB PRESS LLC 701 EAST 70 TH STREET TACOMA, WASHINGTON 98403	
DECIMAL	ATLAS PUR. 3514000	SCALE FULL
FRACTIONAL	TITLE 22 3/4 PERF. INK SUB. ASSY	DRAWN BY WJS
ANGULAR	DATE 10-8-88	APPROVED BY
	DRAWING NUMBER 3514001	SHT 2 of 3

DATE	BY	REVISION RECORD	DR.	CK.



TOLERANCES (EXCEPT AS NOTED)		 WEB PRESS LLC 701 EAST "D" STREET TACOMA, WASHINGTON 98421	
DECIMAL	ATLAS PERF. 3510000	SCALE	DRAWN BY WEA
FRACTIONAL		FULL	APPROVED BY
ANGULAR		DATE	TITLE
		10-20-88	22 3/4 PERF. INK SYS. ASSY 45 IN.
		DRAWING NUMBER	SHT 3 OF 3
		3514001	

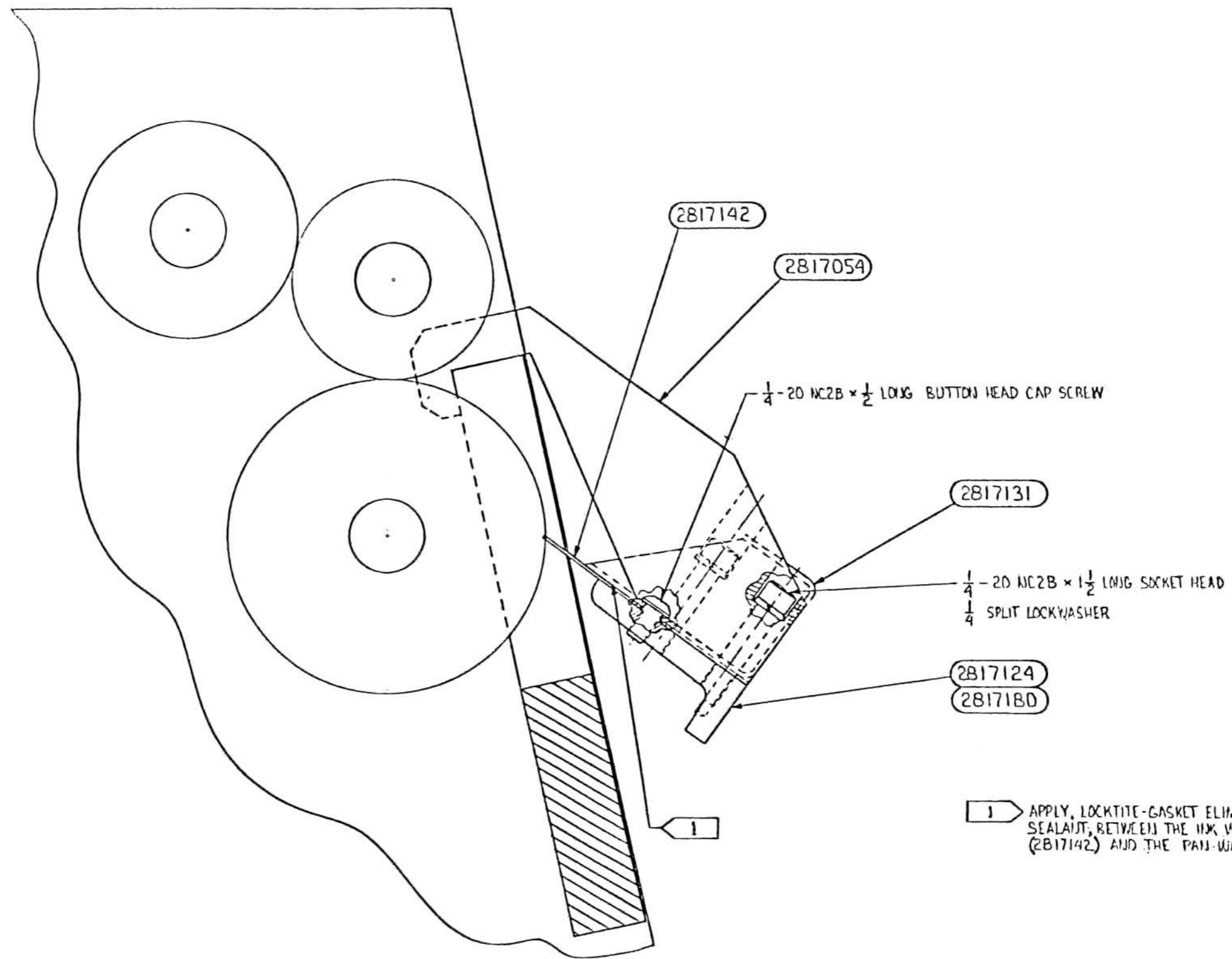
DRAWING 40-21

Ink Wash-Up – Atlas 22 ¾” Perfecting Unit


Assembly 2817004

Part no.	Description	Qty Req'd
2817054	BRACKET, WASH-UP	4
2817131	PAN, WASH-UP	2
2817124	SUPPORT BRACKET, IDLE SIDE	1
2817180	SUPPORT BRACKET, GEAR SIDE	1
2817142	BLADE, INK WASH-UP	2

REV	DESCRIPTION	BY	DATE



1 APPLY, LOCKTITE-GASKET ELIMINATOR 515 SEALANT, BETWEEN THE INK WASH-UP BLADE (2817142) AND THE PIN-WASH-UP (2817131)

TOLERANCES (UNLESS OTHERWISE SPECIFIED)		 WEB PRESS LLC 701 EAST 10 TH STREET TACOMA, WASHINGTON 98421	
DECIMAL		SCALE	DRAWN BY (15)
FRACTIONAL		FULL	APPROVED BY
ANGULAR		TITLE	
		DATE	DATE NUMBER
		1-16-92	2817004

WebPress
*Revolutionary*TM

Mechanical

Motion

Assembly

Mechanical Motion, 22 ¾ Atlas Perfector Assembly 3516000

Part no.	Description	Qty Req'd
001001	BEARING, ER-16	2
008002	ROD END, ½ ID x ½ 20 MALE	2
009013	CAM FOLLOWER, 1" DIA. #YCR-16	2
009003	CAM FOLLOWER, ¾ DIA. x 3/8 24 #CF-3/4	6
011001	BUSHING, 3/8 x ½ x 3/8	2
030021	RETAINING RING, 5/16 SHAFT	2
053009	3/16 DRIVE FITTING	6
516340	WASHER, INK PUSH ROD	2
1516110	PUSH ROD, L.H.	1
1516120	PUSH ROD, R.H.	1
1516140	HOUSING, M.M. SHAFT	2
1516160	HOUSING, M.M. SHAFT	2
1516251	LINK, SUB-ASSEMBLY	2
1516261	GEAR, MECH. MOTION	2
1516271	BEARING, RETAINING	2
1516320	BEARING, BLOCK	2
1516330	ARM, OSCILLATOR DRIVE	6
1516340	ARM, INK FOUNTAIN DRIVE	2
1516360	BEARING HOUSE	2
1516480	SHAFT, M.M.	2
1516490	SHAFT, M.M.	2

SHEET 1 OF 3

Mechanical Motion, 22 ¾ Atlas Perfector Assembly 3516000

Part No.	Description	Qty Req'd
001001	BEARING, ER-16, 1" ID x 2.0472 OD	2
001059	BEARING, ER-18T, 1 1/8 ID x 2.4409 OD	4
001007	BEARING, 55507, DELCO-1.378 ID x 2.8345 OD	2
001027	BEARING, ER-19, 1 3/16 ID x 2.4409 OD	2
001033	BEARING, ND55506, DBL. ROW ANG. CONTACT 1.811 ID X 2.4409 OD	4
001028	BEARING, ND55506, DBL. ROW ANG. CONTACT 1.1811 ID x	2
008002	ROD END, ½ ID x ½ 20 MALE	2
030001	SNAP RING, EXTERNAL, 1" SHAFT DIA.	2
030009	SNAP RING, EXTERNAL, 1 1/8 SHAFT DIA.	4
030016	SNAP RING, EXTERNAL, 1 3/16 SHAFT DIA.	4
030017	SNAP RING, 2.44 HOUSING DIA.	8
031055	ROLL PIN, 3/16 x ½ LG.	2
090185	LOCK NUT, N06, SKF, 1.1811 x 18 THREAD	2
031003	ROLL PIN, ¼ x ¾ LG.	2
090186	LOCK WASHER, W06, SKF	2
1516140	HOUSING, M.M. SHAFT	2
1516150	HOUSING, M.M. SHAFT	2
1516200	LINK, SUB-ASSEMBLY	2
1516240	YOKE, MACHINING	2
1516261	GEAR, MECH. MOTION	2
1516271	BEARING, RETAINER	2
1516292	STUB SHAFT, M.M. GEAR	2
1516320	BEARING, BLOCK	2
1516330	ARM, OSCILLATOR DRIVE	6
1516340	ARM, INK FOUNTAIN DRIVE	2
1516360	BEARING HOUSE	2
1516440	SPACER	2
1516480	SHAFT, MECH. MOTION	2
1516490	SHAFT, MECH. MOTION	2
2516170	PINION GEAR, DRIVE L.H.	1
2516180	PINION GEAR, R.H.	1
2516190	PINION GEAR, R.H.	1
2516210	PINION GEAR, DRIVE L.H.	1
2516220	PINION GEAR, DRIVE L.H.	1
2516230	PINION GEAR, R.H.	1

SHEET 2 OF 3

Mechanical Motion, 22 ¾ Atlas Perfector Assembly 3516000

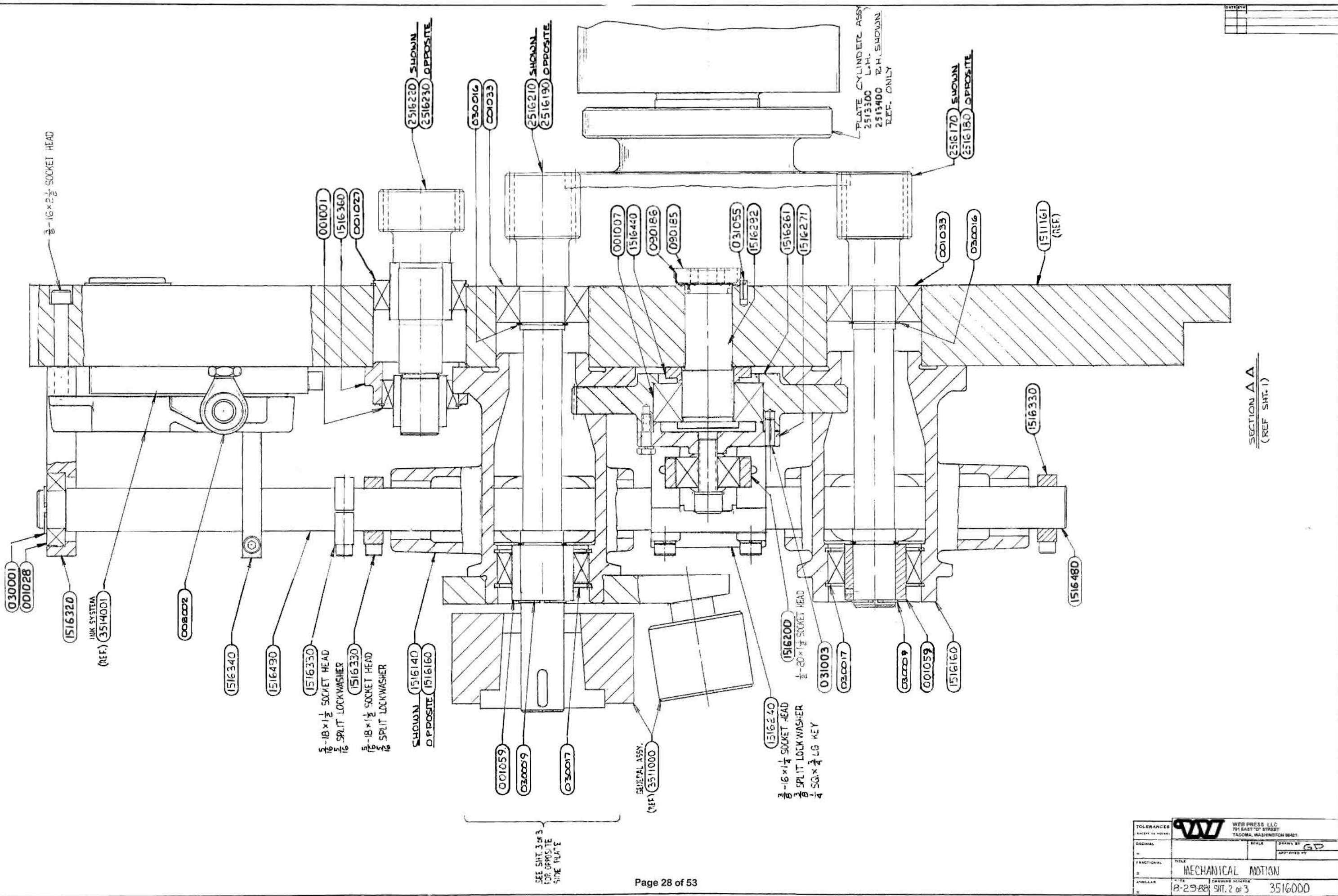
Part No.	Description	Qty Req'd
001001	BEARING, ER-16	2
001059	BEARING, ER-18T	4
001027	BEARING, ER19	2
001033	BEARING, ND55506, DBL. ROW ANG. CONTACT	4
030009	SNAP RING, EXTERNAL, 1 1/8 SHAFT DIA.	4
030016	SNAP RING, EXTERNAL 1 3/16 SHAFT DIA.	4
030017	SNAP RING, 2.44 HOUSING DIA.	8
035023	SHOULDER SCREW, 3/8 x 3" LG.	2
1516160	HOUSING, M.M. SHAFT	2
1516200	LINK, SUB-ASSEMBLY HOUSING	2
1516240	YOKE, MACHINING	2
1616360	BEARING HOUSING	2
1516480	SHAFT, MECH. MOTION	2
1516490	SHAFT, MECH. MOTION	2
1516510	GUIDE, BLADE	4
2516230	PINION GEAR R.H.	1
2516190	PINION GEAR (HAND WHEEL)	1

Mechanical Motion, 22 ¾ Atlas Perfector Assembly 3516000

(Continued From Previous Page)

Conversion to Run 35k Assembly A1524-2


Part No.	Description	Qty Req'd
A1524-28	GEAR, M.M. (REPLACES 1516261, GEAR, MECH. MOTION	2



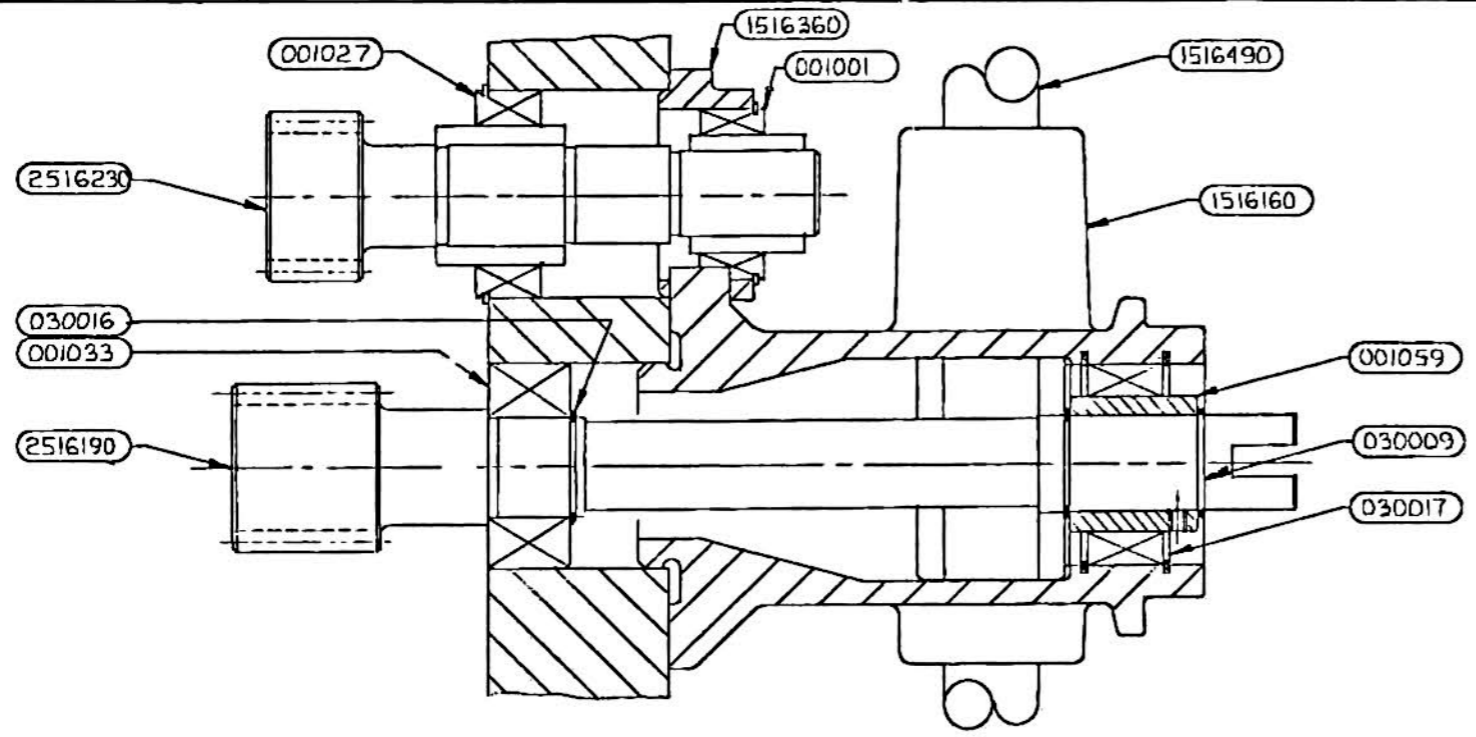
DATE	BY

SECTION A-A
(REF SHT. 1)

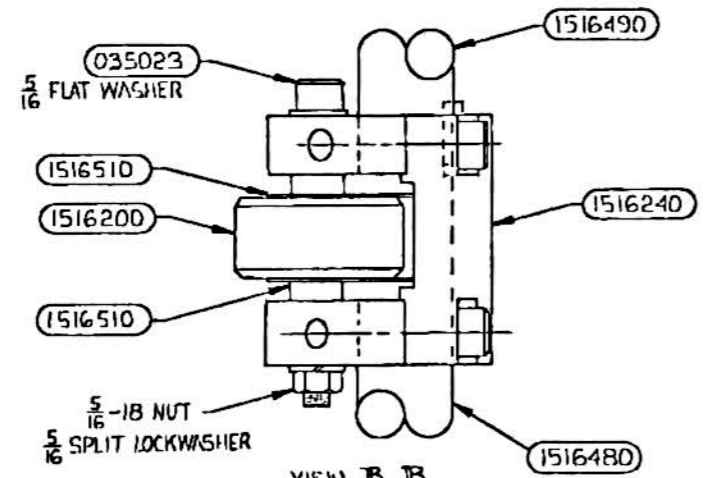
SEE SHT. 3 OF 3
FOR OPPOSITE
SIDE PLATE

TOLERANCES (EXCEPT AS NOTED)		 WEB PRESS LLC 791 EAST "D" STREET TACOMA, WASHINGTON 98401	
DECIMAL		SCALE	DRAWN BY
FRACTIONAL		TITLE	APPROVED BY
ANGULAR		MECHANICAL MOTION	GP
		DRAWING NUMBER	
		P-29-884 SHT. 2 OF 3	3516000


DATE	REVISION	BY	CHK



OPPOSITE HAND INSTALLATION
(REF. SHT. 2)



VIEW B B
(REF. SHT. 1)

TOLERANCES UNLESS SHOWN OTHERWISE:	 WEB PRESS LLC 781 EAST 7th STREET TACOMA, WASHINGTON 98404		
DESIGNER	SCALE	DRAWN BY	APPROVED BY
		AD	
FUNCTIONAL	TITLE		
	MECHANICAL MOTION		
APPROVAL	DATE	ISSUED NUMBER	
	8-29-88	SHT. 3 of 3	3516000

WebPress
Revolutionary[™]

**Brush
Dampening
System**

Atlas Perfector Brush Dampener Assembly

2822003

Part No.	Description	Qty Req'd
001001	BEARING, ER-16	12
001018	BEARING, ER-12	4
001051	BEARING, ER-15-1	4
001054	OILITE BUSHING, 3/4" ID x 1" OD x 1 1/8" LG.	4
011005	OILITE BUSHING, 1" ID x 1 1/8" OD x 1/4" LG.	5
011069	OILITE BUSHING, 1/2" ID x 3/4" OD x 1 1/4" LG.	4
020009	TENSION SPRING, LANE #681, 1/2" OD x .080" WIRE x 1 5/8" LG	4
030006	SNAP RING, EXTERNAL, 1 3/8" 5100-137	5
030015	SNAP RING, EXTERNAL, 2" 5100-200	4
035007	SHOULDER SCREW	4
035029	SWING BOLT, 3/8" 16 x 2 1/2" LG.	4
035042	THUMB SCREW, 1/4 20 x 3/4" LG	4
040052	GEAR MOTOR, BALDOR GP3005	5
040055	MOTOR, 1/4 HP 230V 3-PHASE	1
040057	1/4 HP BRUSH MOTOR	1
050006	VINYL "T" 5/8" ID	4"
050007	PIPE, PVC, 1" ID	75"
050011	HOSE CLAMP, 3/4"	4
050013	T-FITTING, SCREWED, 1" x 1" x 1/2"	5
050015	MALE BARB FITTING, 1/2" PVC	4
050027	PIPE, THREADED PVC 1" x 1" HOSE BARB	4
050028	VINYL HOSE, 1"	10 FT
050029	HOSE CLAMP, 1" ID	4
050055	O-RING, .737" ID x .13" THICK	2
050057	REDUCING TEE 1" S x 1" S x 3/4" PIPE	2
050058	VINYL TUBING, 1" OD x 3/4" ID	48"
050058	VINYL "T", 1" OD x 3/4" ID	48"
050063	HOSE CLAMP, 1 3/4"	4
050065	CONNECTOR, 3/4" NPT x 3/4" BARB	2
050074	HOSE CLAMP, 3/8" - 3/4" ID	4

PAGE 1 OF 3

Atlas Perfector Brush Dampener Assembly

2822003

(Continued From Previous Page)

Part no.	Description	Qty Req'd
050118	ELBOW, MALE ½" T x ½" NPT	4
051068	BALL VALVE ½" NPT	2
051088	PLUG, 1/8" HHP-SS	2
053029	SWING BOLT, 3/8" 16 x 2 ½ LG	4
060036	BELT - 21 1/2 & 22-2/4 ONLY	1
060046	BELT - 21-1/2 & 22-3/4 ONLY	1
514360	OSCILLATOR SHAFT BUTTON	2
515280	WATER FORM ROLL, 2 7/8"	4
518130	FOUNTAIN ROLL COVER	2
822050	IDLER, WATER FOUNTAIN DRIVE	2
822130	DRIVE PULLEY, BRUSH ROLL	4
822151	CAM FORM ROLL	8
822170	DRIVE PULLEY, BRUSH ROLL	2
822200	BRUSH ROLL ASSEMBLY	4
1514060	SHAFT, FORM ROLL CAM	2
1514240	PHENOLIC WASHER	8
1524080	BUSHING	4
1822011	HANGER BRACKET	4
1822021	HANGER BRACKET	4
1822040	ROLL WATER FOUNTAIN	4
1822120	SHAFT BRUSH ROLL	2
1822140	SHAFT FORM ROLL	2
1822270	PULLEY FOUNTAIN DRIVE	2
1822281	PULLEY	2
2822100	OUTLET, WATER PAN	2
2822320	STOP, BRUSH ROLL	4
2822440	SHAFT, OSCILLATOR	2
2825121	HANGER BRACKET	8
2825250	WATER PAN ASSEMBLY	2
2825350	WATER PAN ASSEMBLY	2
3514010	SCREW SPRING ADJUSTMENT	4
3514020	SCREW SPRING ADJUSTMENT	4
3515170	WATER OSCILLATOR	4

Atlas Perfector Brush Dampener assembly

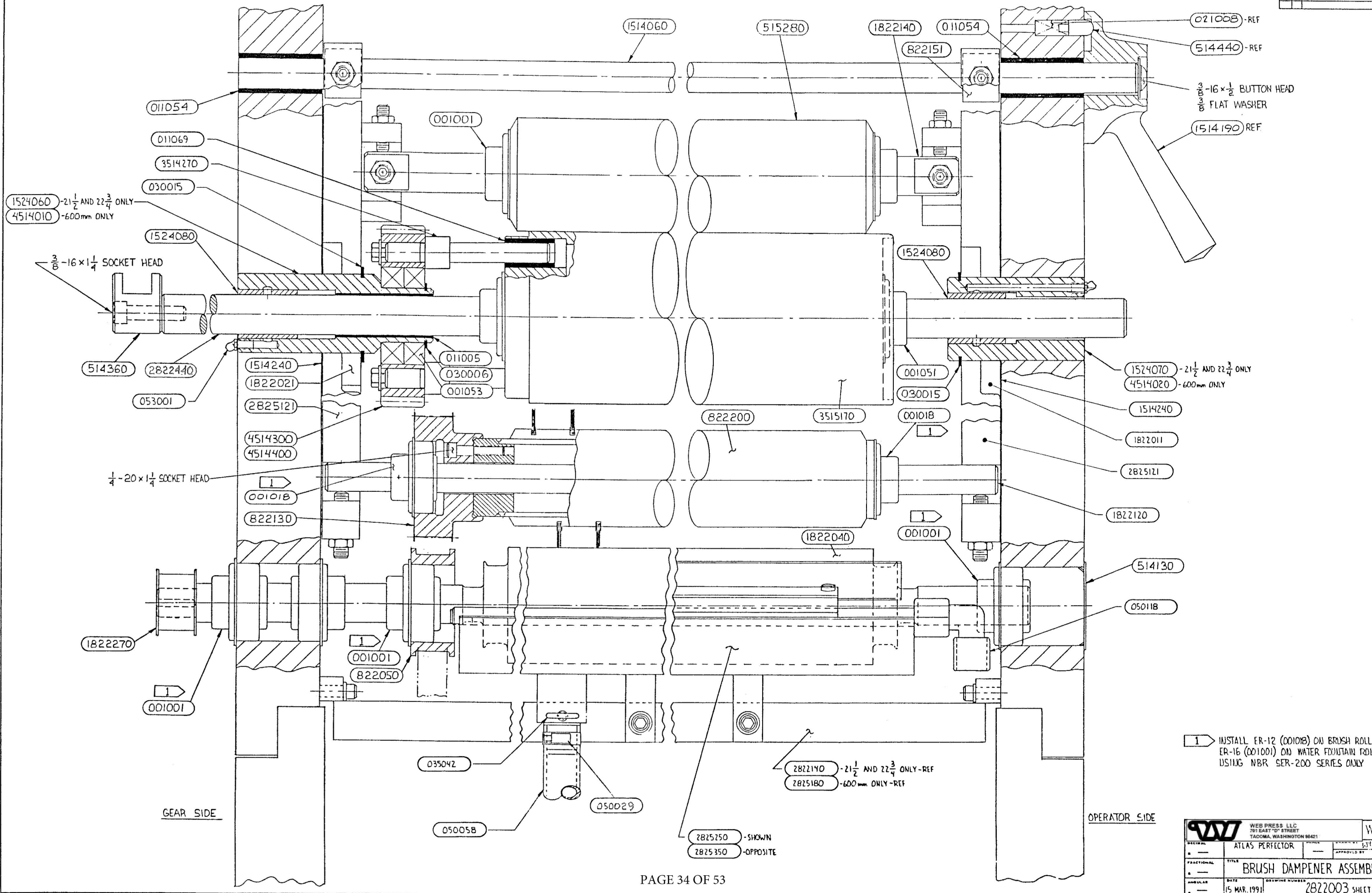
2822003

(Continued From Previous Page)

Part No.	Description	Qty Rec'd
4514300	OSCILLATOR GEAR ASSEMBLY R.H.	1
4514400	OSCILLATOR GEAR ASSEMBLY L.H.	1
2822080	WATER STOP HANGING BRACKET	
2822410	SUPPORT PLATE FOR HANGING BRACKET	
822630	WATER STOP	
035042	THUMBSCREW	

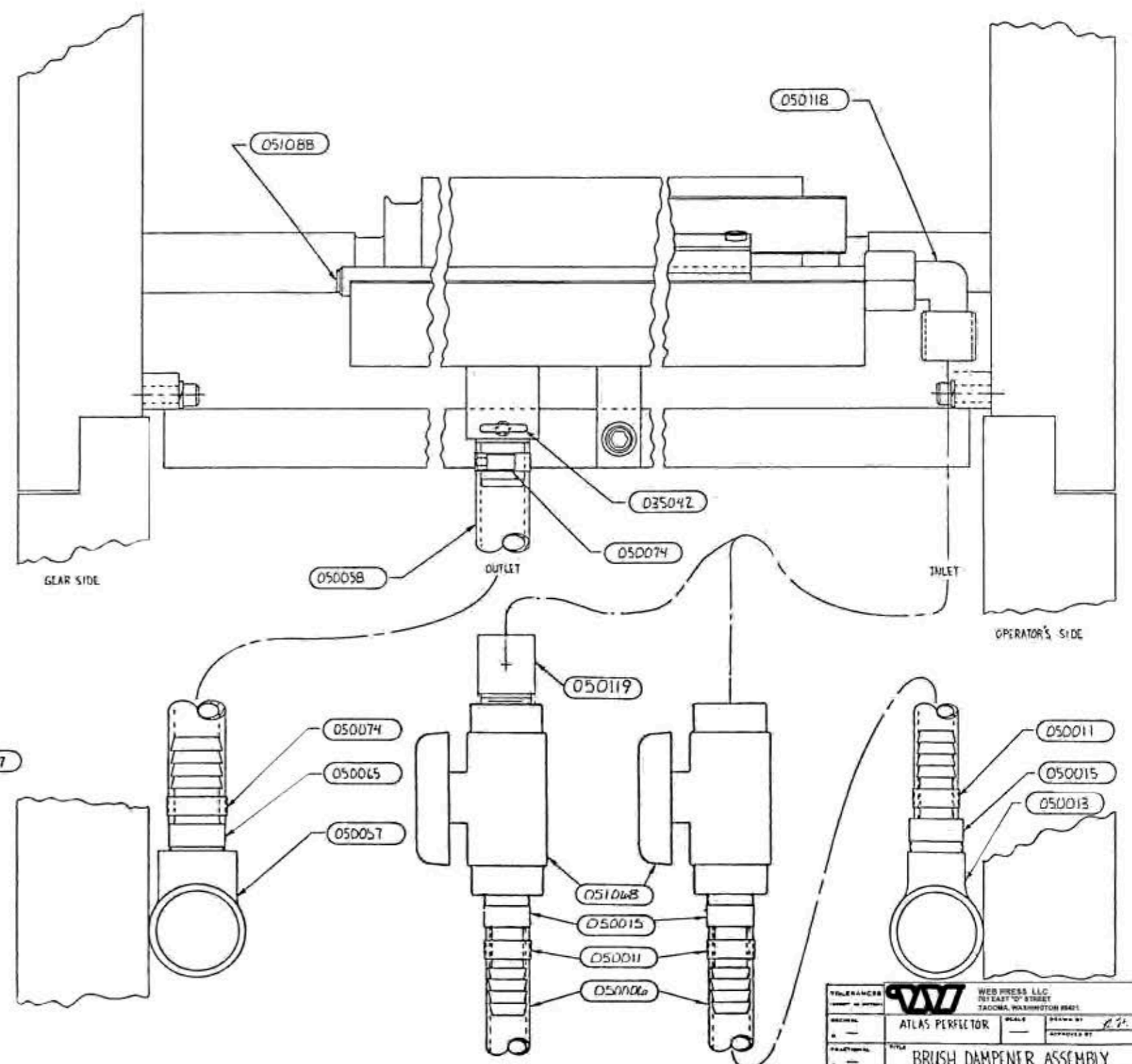
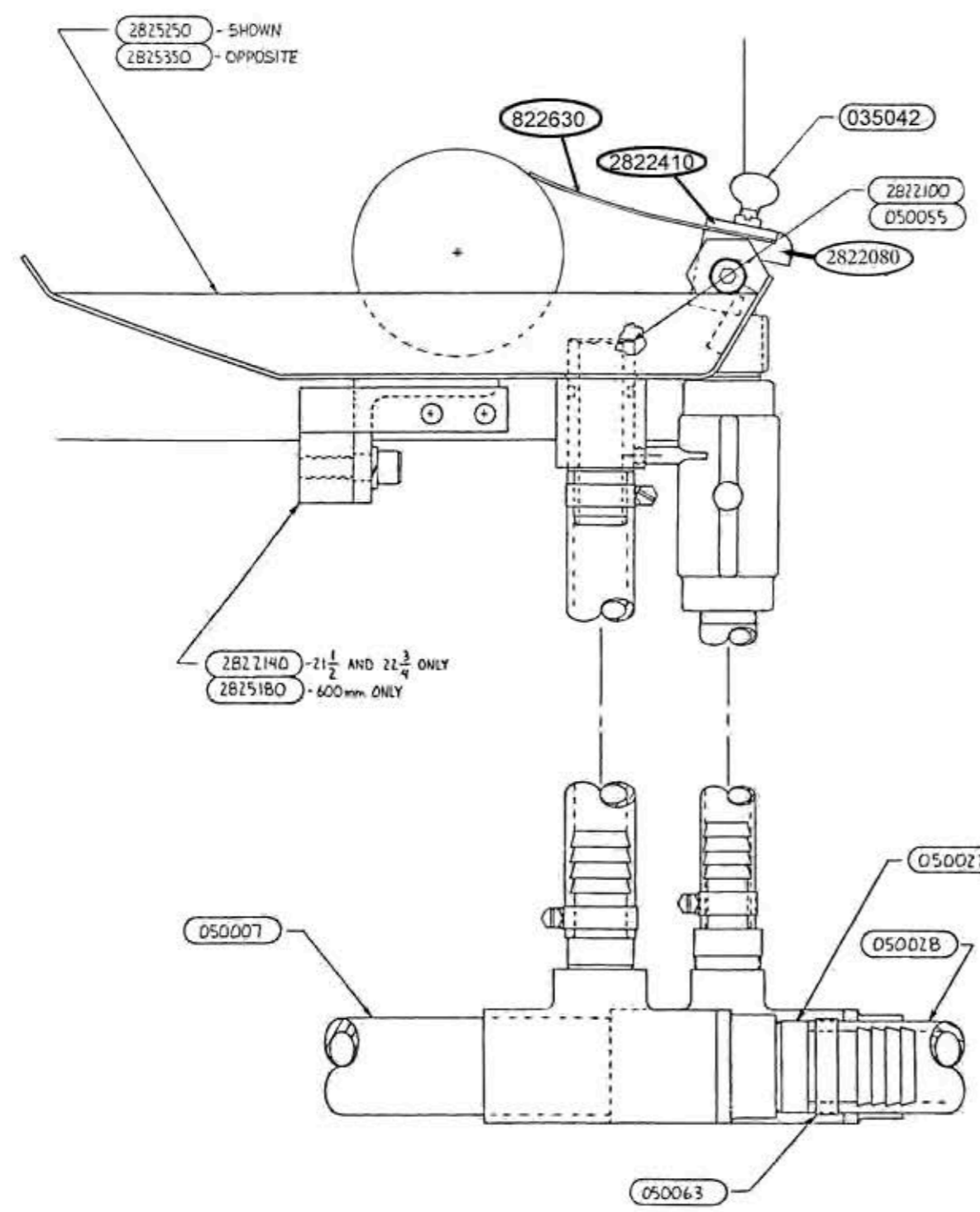
(Page 3 of 3)

DATE	REVISION RECORD
1/91	A
	FILE COPY



1 INSTALL ER-12 (001018) ON BRUSH ROLL AND ER-16 (001001) ON WATER FOULING ROLL USING NBR SER-200 SERIES ONLY

		WEB PRESS LLC 701 EAST "D" STREET TACOMA, WASHINGTON 98421	WA 1313
DECIMAL 1 FRACTIONAL 1 ANGULAR 1	ATLAS PERFECTOR	APPROVED BY _____	DATE 15 MAR. 1991
TITLE BRUSH DAMPENER ASSEMBLY		DRAWING NUMBER 2822003 SHEET 1	



		WEB PRESS LLC 751 EAST 10 th STREET TACOMA, WASHINGTON 98401	
ORIGINAL A PART NUMBER A APPROVAL B	ATLAS PERFECTOR TITLE BRUSH DAMPENER ASSEMBLY DATE 15 MAR. 1991	SCALE DRAWN BY APPROVED BY [Signature]	SHEET NUMBER 2822003 SHEET 2 OF 4

DATE	BY	REVISION RECORD	NO.
4/2	A	SEE FILE COPY	#H

060036 - 21 1/2 AND 22 3/4 ONLY
 060022 - 600mm ONLY

822170
 LH- 040055
 RH- 040057

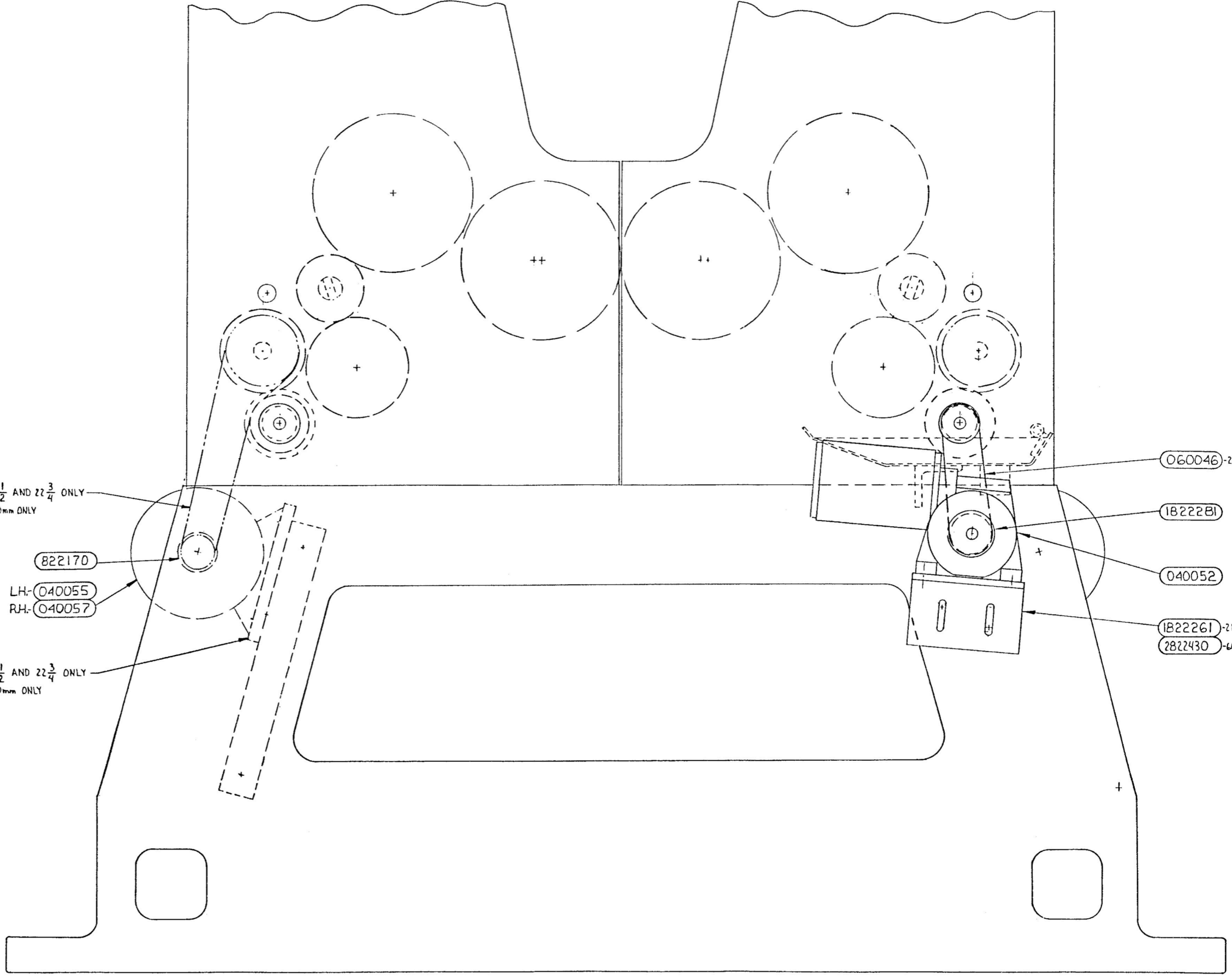
1822211 - 21 1/2 AND 22 3/4 ONLY
 2822420 - 600mm ONLY

060046 - 21 1/2, 22 3/4 AND 600mm

1822281

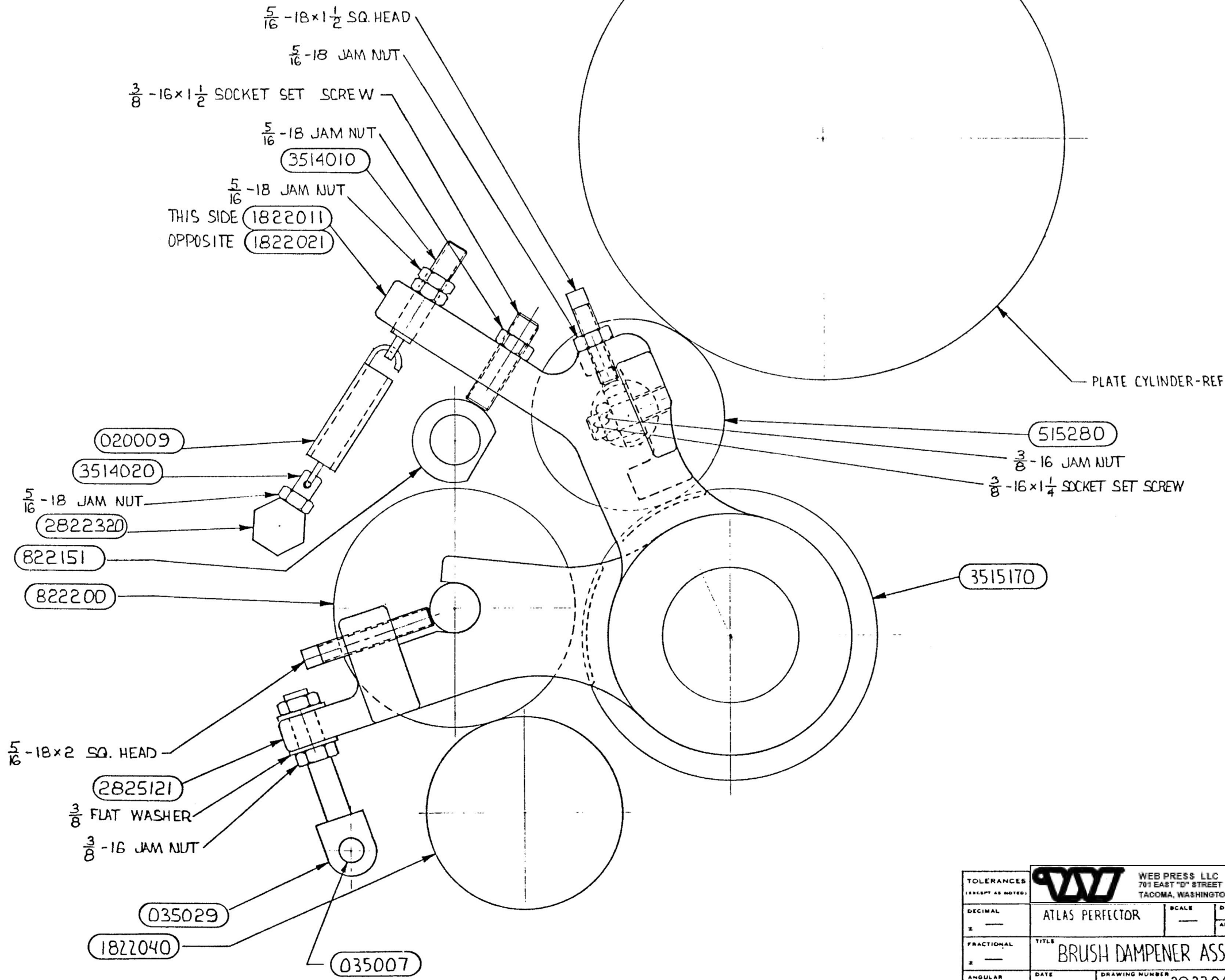
040052


1822261 - 21 1/2 AND 22 3/4 ONLY
 2822430 - 600mm ONLY



TOLERANCES (EXCEPT AS NOTED)		WEB PRESS LLC 701 EAST 10 TH STREET TACOMA, WASHINGTON 98421	
DECIMAL	ATLAS PERFECTOR	SCALE	DRAWN BY <i>AK</i>
FRACTIONAL	TITLE BRUSH DAMPENER ASSEMBLY	DATE	APPROVED BY
ANGULAR	DATE 15 MAR 1991	DRAWING NUMBER 2822003 SHEET 3 OF 4	

DATE	SYM	REVISION RECORD	DR.	CK.
11/11	A	SEE FILE COPY		



TOLERANCES (EXCEPT AS NOTED)		 WEB PRESS LLC 701 EAST 10 TH STREET TACOMA, WASHINGTON 98421	
DECIMAL	—	SCALE	DRAWN BY <i>WBU</i>
FRACTIONAL	—	TITLE	BRUSH DAMPENER ASSEMBLY
ANGULAR	—	DATE	15 MAR. 1991
		DRAWING NUMBER	2822003 SHEET 4 OF 4

BRUNING 40-21

Atlas Perfector 22 ¾ & 21 ½ Brush Dampener 2822003A1

Part No.	Description	Qty Req'd
060036	BELT, 255LO75	2
1524060	OSCILLATOR BUSHING G.S.	2
1524070	OSCILLATOR BUSHING O.S.	2
1822211	MOUNTING PLATE, BRUSH MOTOR	2
1822261	BRACKET, MOUNTING	2
2822140	STIFFENER, WATER PAN	2

Atlas Perfector 600MM Brush Dampener 2822003A2

060022	BELT, 270LO75	2
2822420	MOUNTING PLATE, BRUSH MOTOR	2
2822430	PLATE, MOTOR MOUNTING	2
2825180	STIFFENER, WATER PAN	2
4514010	BUSHING OSCILLATOR, G.S.	2
4514020	BUSHING OSCILLATOR, O.S.	2

WebPress
Revolutionary[™]

**Water
Recirculating
System**

Water Recirculating System Assembly 813000

Part no.	Description	Qty Req'd
813110	WATER TANK ASSEMBLY	1
050006	VINYL TUBING 5/8" ID	22"
050008	WATER TANK	1
050009	LID, WATER TANK	1
050013*	T-FITTING 1" x 1" x 1/2" SCREWED	2
050014*	COUPLER, 1" PVC	1
050015*	MALE BARB FITTING, 1/2" PVC	1
050017*	1" CAP SLIP	4
050020	O-RING	2
050021	COUPLER, 1" SLIP x 1" THREADED	2
050022	90° ELBOW, "SKTX1" PVC	2
050026*	REDUCING BUSHING, 1" x 1/2"	1
050027*	1" SCREWED PIPE x 1" HOSE BAR PVC	2
050028*	1" VINYL HOSE	25FT
050030*	SCREWED "T" PVC, 1" x 1" x 1"	1
050034	BARB FITTING 1/2" x 90°	1
050063*	1 3/4" HOSE CLAMP 5" x 445	6
813120	FILTER BASKET	1
813160	FILTER SCREEN	1
813170	SCREEN HOLDER	1
813180	NIPPLE	1
813220*	NIPPLE	4
822810	PIPE NUT	2

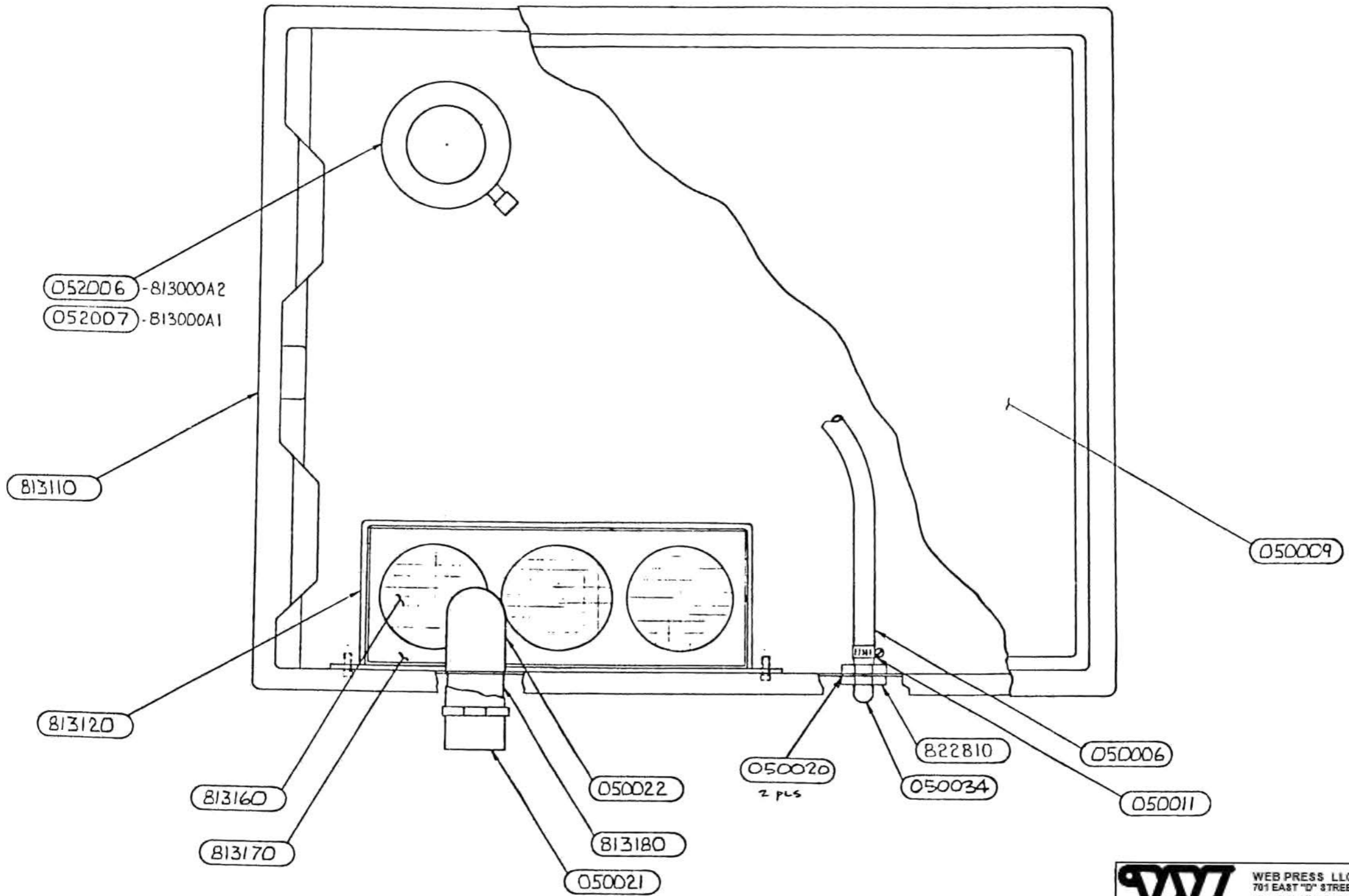
Option – Water Recirculating System Assembly 813000A1


052007	PUMP 300 GALLON PER HOUR	1
--------	--------------------------	---

Water Recirculating System Assembly 813000A2

052006	PUMP, 500 GALLON PER HOUR (FOR STACKED UNITS ONLY)	1
--------	--	---

Note * Not shown on assembly drawing



 WEB PRESS LLC 701 EAST "D" STREET TACOMA, WASHINGTON 98421				
			SCALE: HALF	APPROVED BY:
DATE: 2-2-76		REVISED	ASSY, WATER TANK	
DRAWING NUMBER				



Guards

Ink Train Guards 22 ¾ Atlas Perfector Assembly 2517001C

Part No.	Description	Qty Req'd
035046	SHOULDER BOLT 3/8 DIA. x ¼ LG	2
2517072	GUARD, PERFECTOR FACE	2
090105	CLIP	4
2517082	GUARD, INK TRAIN	2
2517092	GUARD, INK TRAIN R.H.	1
2517310	GUARD, INK TRAIN L.H.	1
2517100	GUARD, CENTER	2
2517260	GUARD, LATCH	2
2517230	PLATE, GUARD HINGE	4
517171	HOOK, UNIT INK TRAIN	2

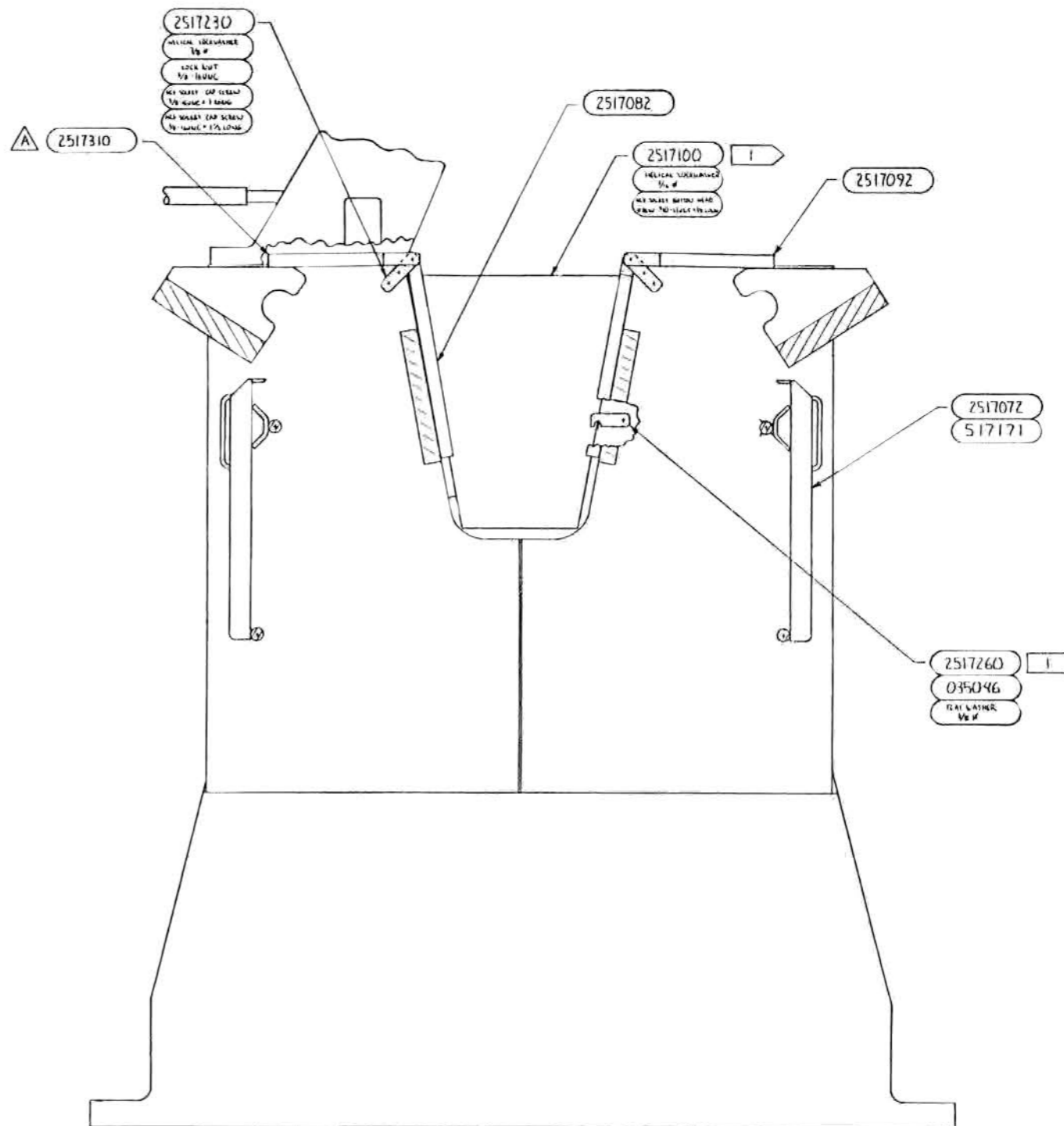
Ink Train Guards ASU U/L 22 ¾" Atlas Perfector Assembly 2517001D

2517072	GUARD, PERFECTOR FACE	4
090105	CLIP	8
2517082	GUARD, INK TRAIN	2
2517092	GUARD, INK TRAIN R.H.	1
2517310	GUARD, INK TRAIN L.H.	1
2517230	PLATE, GUARD HINGE	4
517171	HOOK, UNIT INK TRAIN	2

Note: For Manual Unit Only

035046	SHOULDER BOLT, 3/8 DIA. x ¼ LG	2
2517100	GUARD, CENTER	2
2517260	GUARD, LATCH	2

DATE	BY	REVISION	RECORD	OR	CHK
11/19/09	A	ADDED 2517310	GW/1139		



1 CENTER GUARD, LOCATE LATCH AND MATCH DRILL TAPPED HOLES IN SIDE PLATE.

TOLERANCES (UNLESS OTHERWISE SPECIFIED)		WEB PRESS LLC 701 EAST 10 TH STREET TACOMA, WASHINGTON 98421	
DECIMAL	±.0005 ATLAS PERFECTOR	SCALE	1/4" = 1"
FRACTIONAL		DRAWN BY	GW
ANGULAR		APPROVED BY	
TITLE		DRAWING NUMBER	
OPTION. INK TRAIN GUARDS		2517001C/D	
DATE	1 MAR. 1989		

DRAWING NO. 21

WebPress
Revolutionary™

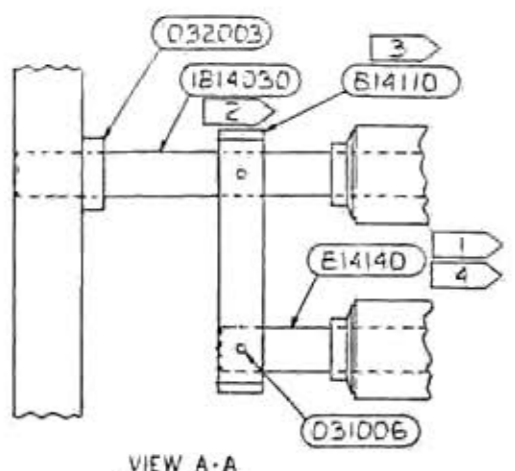
Compensator

Compensator, Atlas Perfector Assembly

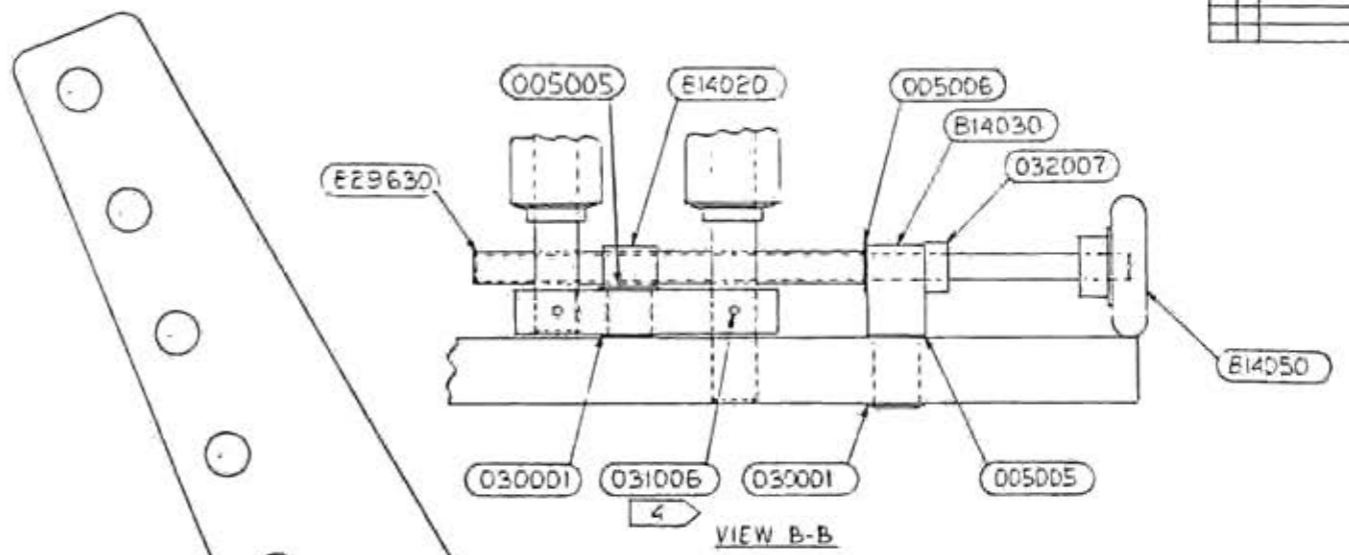
1814000

Part No.	Description	Qty Req'd
1814010	COMPENSATOR RISER	2
1814020	ARM, COMP. O.S.	1
1814030	SHAFT	1
814110	ARM, COMP. G.S.	1
814140	SHAFT IDLER	1
511490	ROLLER CORER	2
001001	ER-16 BEARING	4
031006	#4 x #2" TAPER PIN	4
1511380	SHAFT STIFFENER	2
511490	ROLLER CORE	2
814020	BARREL NUT, COMP. ADJ.	1
814030	BARREL NUT, COMP. RISER	1
829630	ROD COMPENSATOR ADJ.	1
814050	HANDLE, COMP. ADJUST	1
001001	ER-16 BEARING	4
005005	THRUST WASHER #TRA-1625	2
005006	THRUST WASHER 5/8 I.D. x .06 #TRB-1018	1
030001	1" EXT SNAP RING	2
032003	1" SET COLLAR	1
032007	5/8 SET COLLAR	1

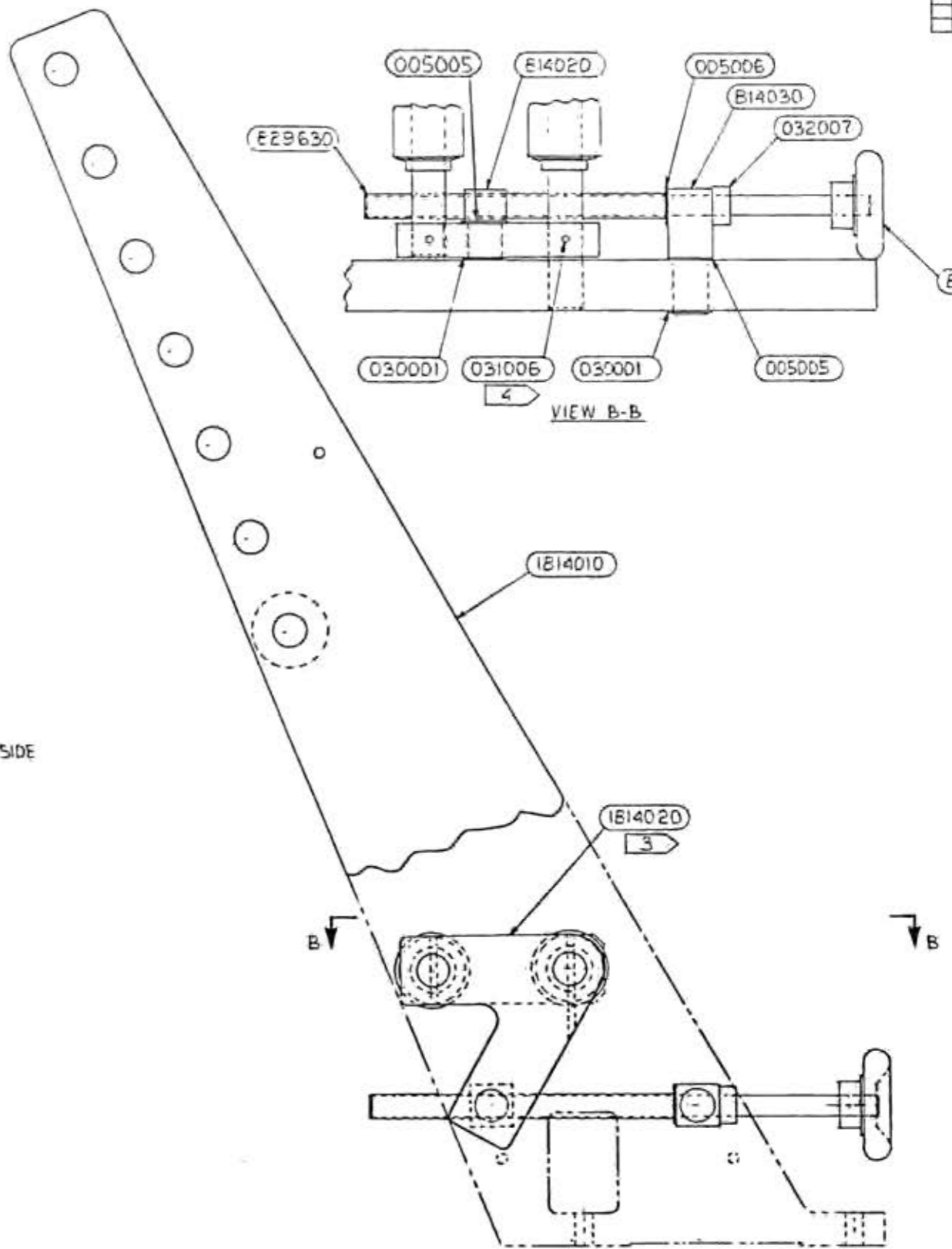
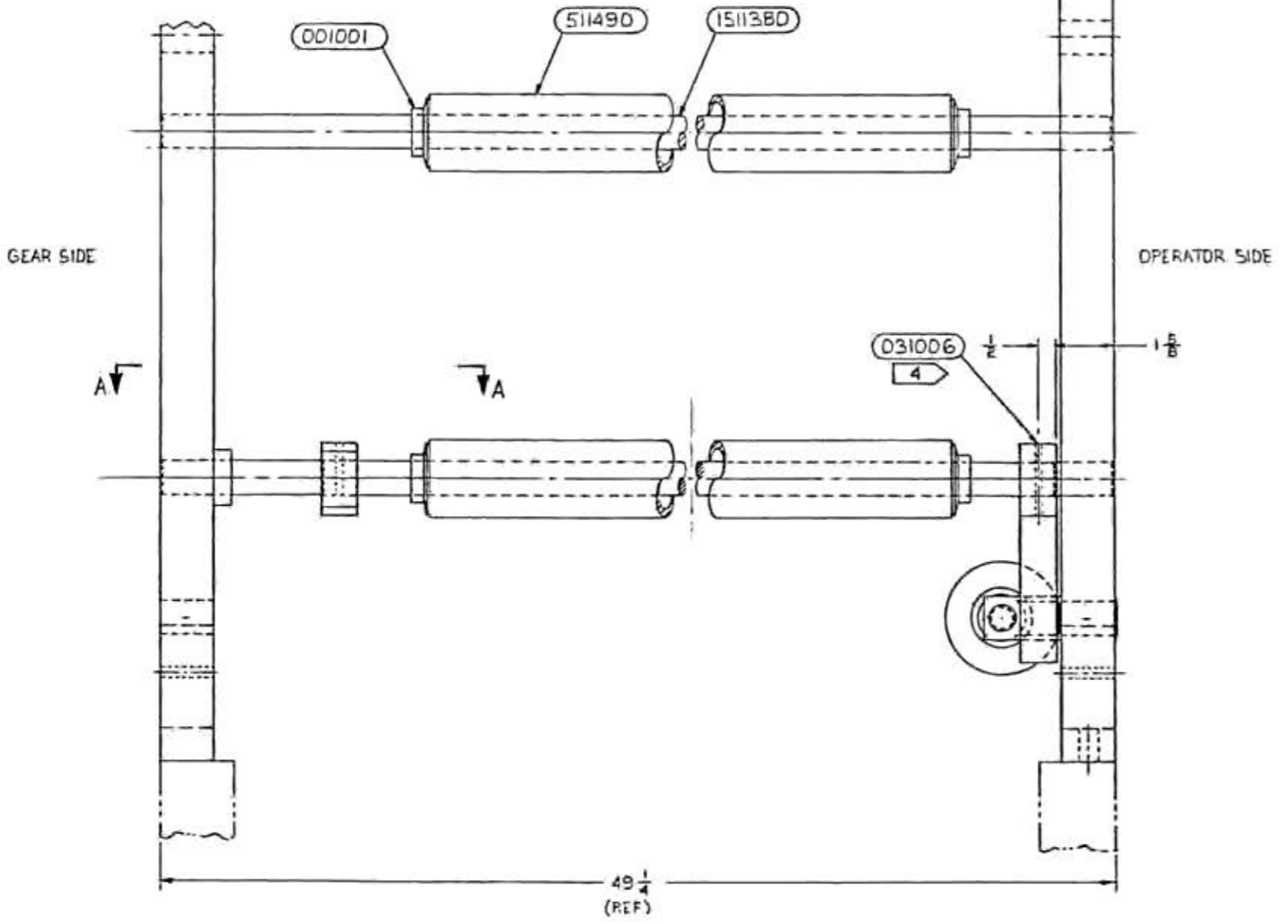
REV	DESCRIPTION	DATE



VIEW A-A



VIEW B-B



- 1 IDLE SHAFT TO BE FLUSH WITH OUTSIDE EDGE OF ARMS.
- 2 SET PARALLELS UNDER ROLLER CORES PRIOR TO DRILLING & TAPER REAMING & PINNING.
- 3 COMPENSATOR ARMS TO BE STAMPED & ASSEMBLED IN PAIRS
- 4 POSITION PIVOT SHAFT & IDLE SHAFT TO DIMENSIONS SHOWN. DRILL THRU COMPENSATOR ARMS & SHAFT ON ASSEMBLY TO INSTALL TAPER PILLS.

		WIPER PRESS, LLC 201 EAST 10 TH STREET TACOMA, WASHINGTON 98402
Part No. 251 & 351 SERIES	Size HALF	Drawing No. 1814000
Title ATLAS PERF. COMPENSATOR		
Date 8-31-88	Revision 1814000	

WebPress

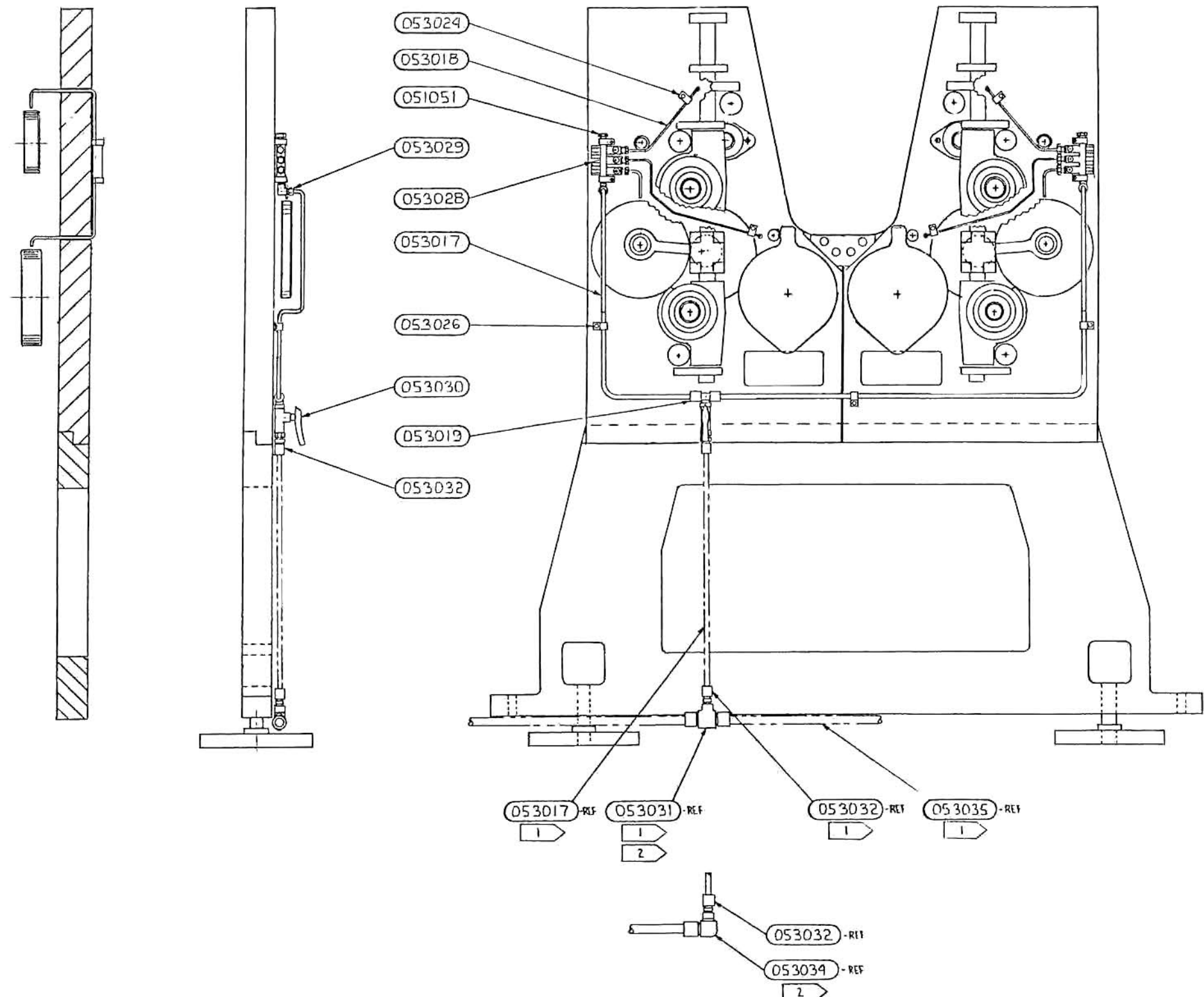
Revolutionary™

AutoLube

Accessories

Autolube, Atlas Perfector Assembly 1831000

Part no.	Description	Qty Req'd
051051	¼ NPT MALE PLUG	2
053017	3/8 STEEL TUBE 62249 (FT)	6
053018	1/8 STEEL TUBE 62175 (FT)	6
053019	MALE BRANCH T 6903	1
053024	1/8 TUBING CLAMP 64532-1	6
053026	TUBING CLAMP 360108	2
053028	INJECTOR 83336-3	2
053029	ELBOW 68082	2
053030	HOKE VALVE 7115 F4S	1
053032	MALE CONNECTOR 69071	1



NOTES:

- 1 SHIP LOOSE, INSTALLED AFTER UNIT IS IN PLACE, REF. 16340007
- 2 REPLACE 053031 WITH 053034 WHEN UNIT IS LAST IN LINE.

TOLERANCES UNLESS OTHERWISE SPECIFIED			WEB PRESS LLC 701 EAST 10 TH STREET TACOMA, WASHINGTON 98401
DRAWN BY	ATLAS PERFECTOR 151, 251 AND 451	SCALE 1/4" = 1"	DRAWN BY J.F.S. APPROVED BY
TITLE	ATLAS PERFECTOR AUTO LUBE		
DATE	9-29-88	DRAWING NUMBER	1831000

Autolube System & Accessories Assembly

1834000

Part No.	Description	Qty Req'd
051053	CONNECTOR 3/8 NPT x 1/2 T	1
051063	NIPPLE 1/4 NPT x 1/4 NPT	1
052035	REDUCER, 1/2 NPT x 1/4 NPT	1
053023	GREASE DISPENSER	1
053035	5/8 OD TUBE (FEET)	Lgth of pressline
053042	MALE ELBOW, 5/8 T x 1/2 NPT	1
053037	CENTROMATIC PUMP 25:1	1
053038	LOW LEVEL ALARM KIT	1
053044	GREASE, LUBE (NLGI #1)	1
053046	UNION TEE 5/8	1
053047	UNION L 5/8 T	3
053068	1/8 FERRULE	6
053069	3/8 FERRULE	6
053070	5/8 FERRULE	6
051058	AIR LINE CONTROL	1

Assembly 1834000A1 (Basic Hook-Up)

053029	MALE ELBOW 3/8 T x 1/4 NPT	1
053032	MALE CONNECTOR 3/8 T x 1/4 NPT	1
053026	TUBING CLAMP 3/8 TUBE	2
053017	3/8 STEEL TUBE	UNIT- 3 FT QUAD- 3 FT FOLDER – 6 FEET

Assembly 1834000A2 (In-Line)

053075	UNION 5/8 T x 5/8 T (NOTE: ONE PER UNIT, QUAD, FOLDER, EXCEPT END UNIT)	1
053031	FEMALE BRANCH TEE 5/8 T x 1/4 NPT (NOTE: ONE PER UNIT, QUAD, FOLDER, EXCEPT END UNIT)	1
052035	REDUCER 1/2 NPT x 1/4 NPT (NOTE: REQ'D IF PARKER FITTING USED, QUANTITY SAME AS 053031)	

(CONTINUED ON NEXT

Autolube System & Accessories Assembly 1834000

(Continued from Previous Page)

Part No.	Description	Qty Req'd
----------	-------------	-----------

Assembly 1834000A3 (End Unit or Folder)

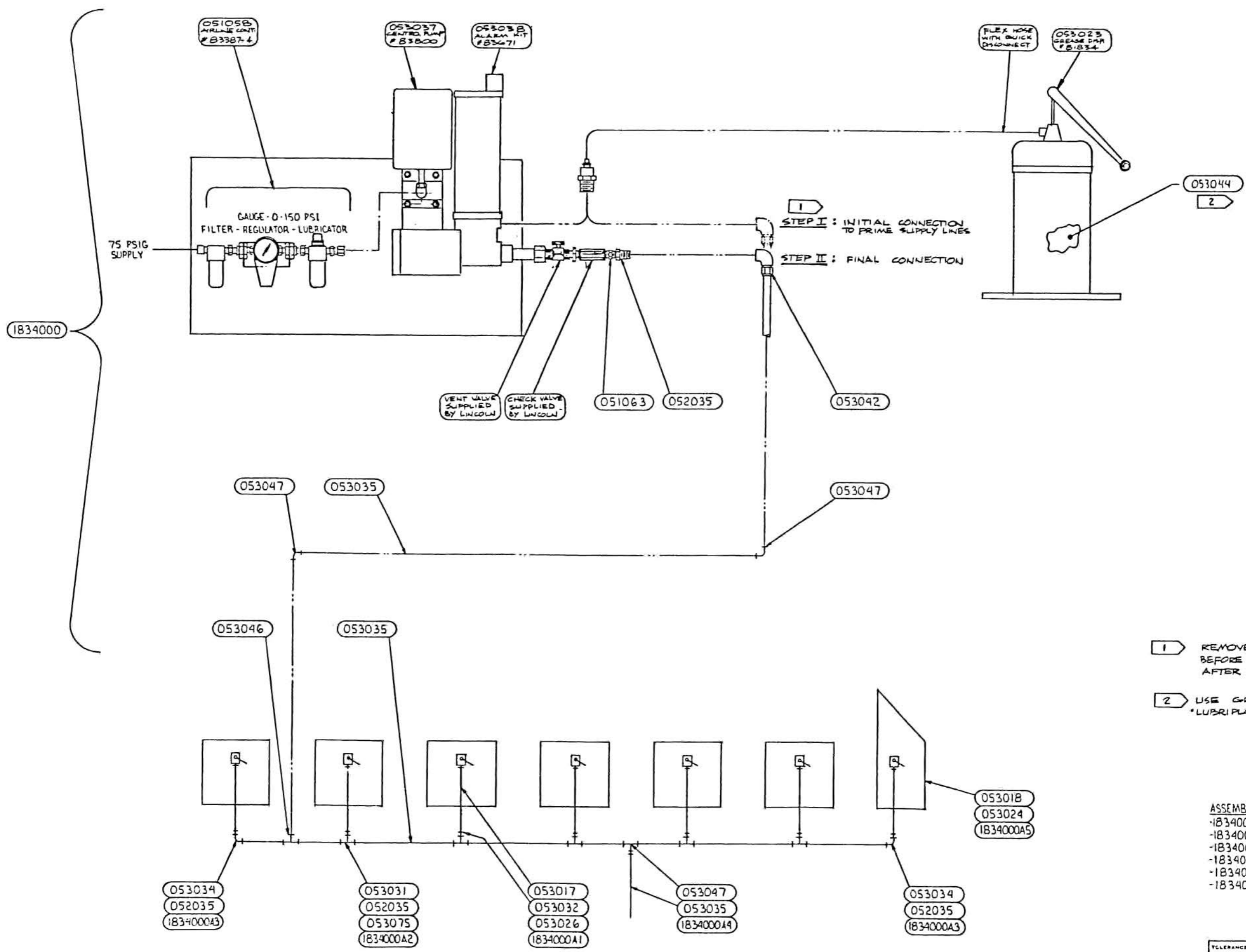
052035	REDUCER, ½ NPT x ¼ NPT (NOTE: REQ'D IF PARKER FITTING USED)	
053034	FEMALE ELBOW 5/8 T x ¼ NPT (NOTE: END UNIT OR FOLDER ONLY)	

Assembly 1834000A4 (T&A)

053047	UNION 5/8 TEE	4
053035	5/8 OD TUBE (FEET)	20

Assembly 1834000A5 (Cross Perf.)

053018	1/8 STEEL TUBE (FEET)	4
053024	1/8 TUBING CLAMP	4



- 1 REMOVE INJECTOR PLUGS BEFORE PRIMING. REPLACE PLUGS AFTER GREASE COMES OUT.
- 2 USE GREASE *LUBRI PLATE GEARSHIELD # 15006 NLGI #1*

- ASSEMBLIES INCLUDED**
- 1834000 AUTOLUBE SYSTEM
 - 1834000A1 OPTION: UNIT HOOK-UP
 - 1834000A2 OPTION: LINE JUNCTION
 - 1834000A3 OPTION: END UNIT OR FOLDER
 - 1834000A4 OPTION: T#A AUTOLUBE
 - 1834000A5 OPTION: CROSS PERF AUTOLUBE

TOLERANCES		WEB PRESS LLC 701 EAST 10 TH STREET TACOMA, WASHINGTON 98402	
REVISION		DATE	BY
1	ATLAS PERFECTOR 151, 251 AND 451	8-11-92	pc
FUNCTIONAL	TITLE	AUTO LUBE SYSTEM INSTALLATION	
DATE	BY	DATE	BY
8-11-92	pc	8-11-92	pc